

TPDLLG/TPDLLGBK



Downlight, Low Glare

Product Range

Cat No.	Description
TPDLLG	7 W, LED Downlight, White
TPDLLGBK	7 W, LED Downlight, Black

1 Package contents

- A Downlight
- B Installation guide

2 Dimension

3 Mounting and installation

⚠ ⚠ DANGER

HAZARD OF ELECTRIC SHOCK

- This product must be installed and serviced by appropriately qualified and/or licensed electrical personnel.
- Isolate the electrical supply before doing any work on this product.
- Ensure that the product has been correctly installed and tested for safe operation before reconnecting the electrical supply.
- Suitable for indoor use.
- To comply with all safety standards, the product must be used only for the purpose described in this instruction and must be installed in accordance with the wiring rules and regulations in the location where it is installed.
- The light source of this luminaire is not replaceable; when the light source reaches its end of life the whole luminaire shall be replaced.
- If the external flexible cable or cord of this luminaire is damaged, it shall be exclusively replaced by the manufacturer or a service agent or a similar qualified person in order to avoid a hazard.

Failure to follow these instructions will result in death or serious injury.

⚠ CAUTION

RISK OF BURN INJURIES

During and after use, the product may be hot. Do not touch the product before it has completely cooled down.

Failure to follow these instructions can result in minor injuries.

Installation requirements

- Check whether the product has been damaged during transport. Do not operate/ install any product which appears damaged in any way. Return the complete downlight to place of purchase for inspection, repair or replacement.
- Take care not to pull any electrical wires during unpacking, as this may damage the connection.
- There are no user serviceable parts inside.

Pre-Installation

(1) Colour Temperature Selector

This downlight has a Tri-Temp colour selector switch allowing the option of 3 different light temperature outputs. Select the desired position prior to installation.

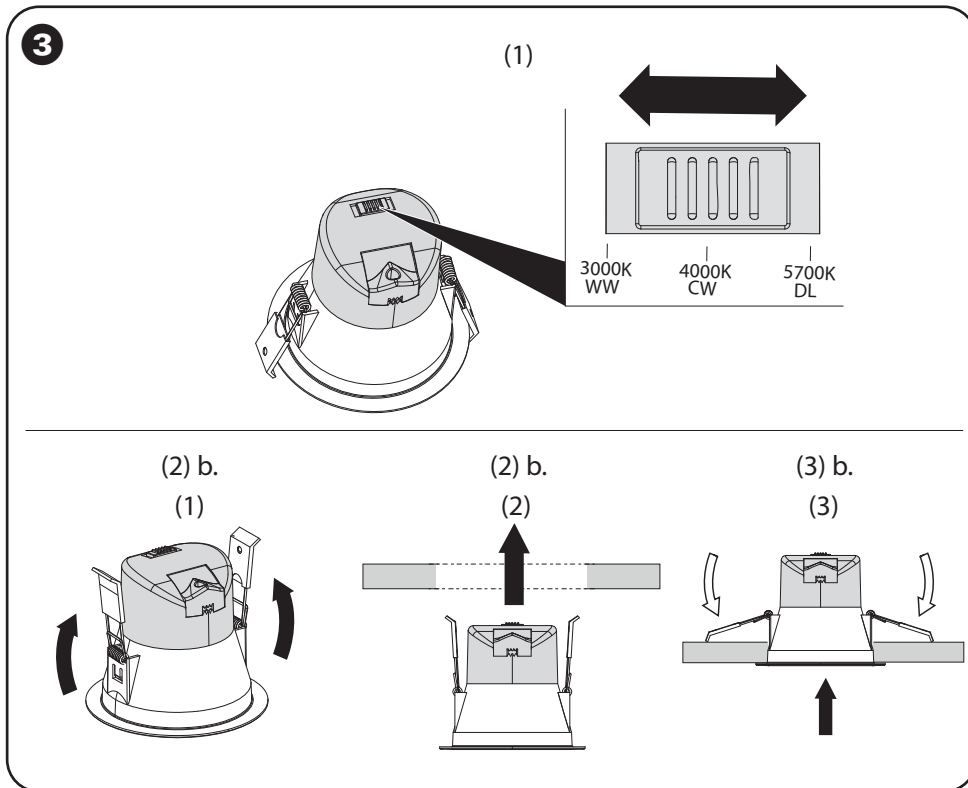
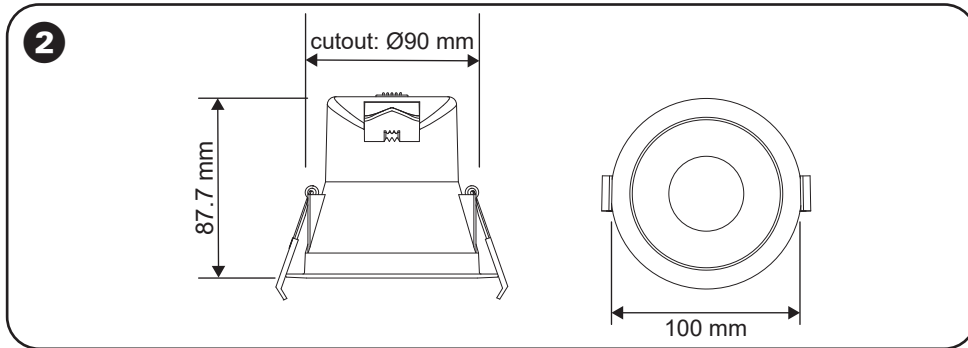
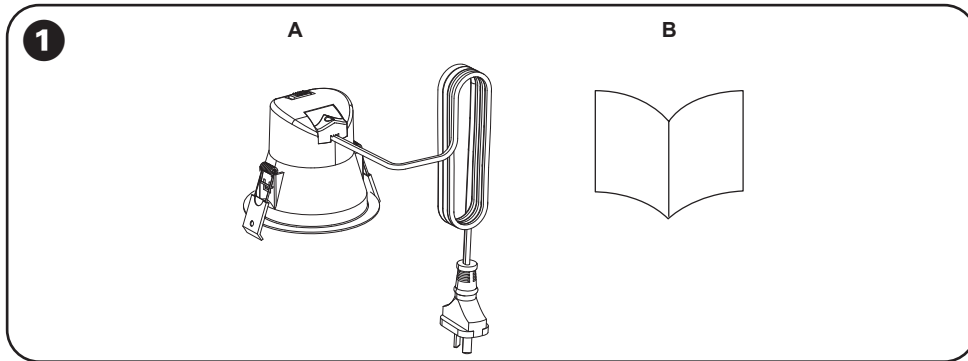
3000K	4000K	5700K
WW	CW	DL

(2) Installation instructions

NOTE: Make sure the colour temperature is selected.

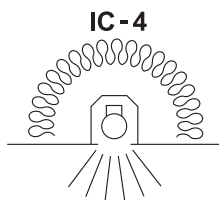
a. Preparation and connection

- Isolate power.
- Select a suitable location for installation and create a cutout.
- Connect mains supply to downlight.

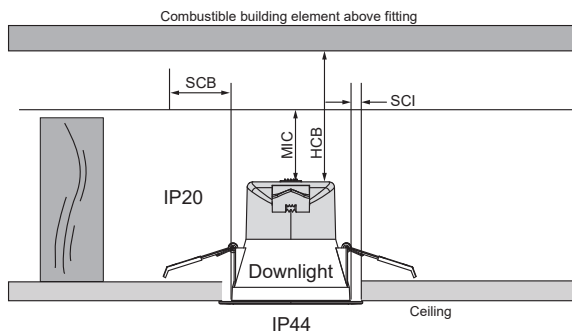


4

a.



b.



b. Mounting the downlight

- (1) Fold back mounting springs.
- (2) Insert downlight into cut-out.
- (3) Ease upwards until sitting flush with ceiling.
- (4) Re-connect mains supply.

4 Clearances

- a. This downlight has achieved an IC-4 classification and complies with AS/NZS 60598.2.2. It is classified as an IC-4 recessed luminaire that can be abutted against normally flammable materials, including building insulation, and can be covered in normal use.

This type of recessed luminaire is effectively a sealed unit that has restricted flow of air between the habitable room and the luminaire. Do not use caustic cleaning agents.

- b. **Risk of Fire** - Building insulation may abut the sides or top of the luminaire: **SCB** = 0 mm, **HCB** = 0 mm, **MIC** = 0 mm, **SCI** = 0 mm.

• **SCB – Side Clearance to Building element**

Minimum distance between the side of the recessed luminaire and any building element.

• **HCB – Height Clearance to Building element**

Minimum distance between the top of the recessed luminaire and any building element above it.

• **MIC - Minimum Insulation Clearance**

The minimum clearance distance from the top of the luminaire to any building insulation.

• **SCI - Side Clearance Insulation**

The minimum clearance distance from the side of the side of the luminaire to any building insulation.

Warranty information (Australia)

We warrant this product for 5 years—
visit <https://www.schneider-electric.com.au/en/aboutus/legal/terms-and-conditions.jsp>

Our goods also come with guarantees that cannot be excluded under the Australian Consumer Law. You are entitled to a replacement or refund for a major failure and compensation for any other reasonably foreseeable loss or damage. You are also entitled to have the goods repaired or replaced if the goods fail to be of acceptable quality and the failure does not amount to a major failure.

Schneider Electric (Australia) Pty Ltd

33-37 Port Wakefield Road, Gepps Cross, SA 5094

Customer Care: 13 73 28

Email: customercare.au@se.com

www.clipsal.com

Warranty information (New Zealand)

We warrant this product for 5 years—
visit <https://www.schneider-electric.co.nz/en/aboutus/legal/terms-and-conditions.jsp>

Schneider Electric (NZ) Ltd

Building 6, 60 Highbrook Drive, East Tamaki, 2013, New Zealand

Customer Care: 0800 741 303

Email: customercare.nz@se.com

www.pdl.co.nz

Schneider Electric reserves the right to change specifications, modify designs and discontinue items without incurring obligation and whilst every effort is made to ensure that descriptions, specifications and other information in this instruction is correct, no warranty is given in respect thereof and the company shall not be liable for any error therein.
© Schneider Electric 2024. This material is copyright under Australian, New Zealand and international laws. Except as permitted under the relevant law, no part of this work may be reproduced by any process without prior written permission of and acknowledgement to Schneider Electric.

Technical data

Cat No.	TPDLLG/TPDLLGBK
Wattage	7 W
Voltage	230-240 V~, 50 Hz
Current	40 mA
Ta	25 °C
Diameter	100 mm
Height	87.7 mm
Lumen output	800 lm for white version, 750 lm for black version
PF	0.9
CCT	3000K/4000K/5700K
Product class	II