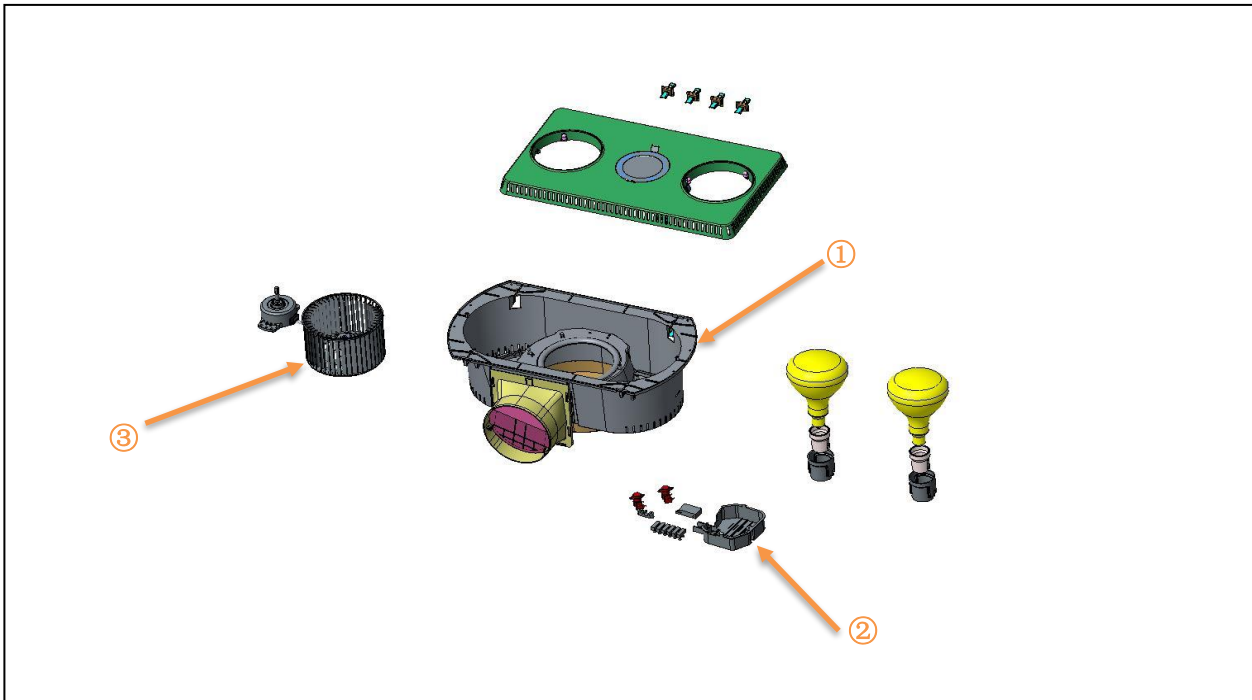


Product End of Life Instructions

Exxact 3 in 1 Ducted Bathroom Unit - LED Light, 2 Heat Lamps



End of Life Instructions



Recommendation	Number on drawing	Component / Material	Weight (in g)	Comment
To be depolluted	1	Plastic parts with brominated FR	1118.2	PP with brominates flame retardants
To be depolluted	2	Plastic parts with brominated FR	54	PP with brominates flame retardants
To be depolluted	3	Plastic parts with brominated FR	182.4	PP with brominates flame retardants

Product description

Manufacturer identification	Schneider Electric Industries SAS
Brand name	Clipsal
Product function	The new Fan light heating is with a high airflow to provide for exhausting lamp heating and lighting function.
Product reference	CPL7600ATP-WE
Total representative product mass	3169.2 g
Representative product dimensions	1485mm x 521mm x 847mm
Accessories	No
Date of information release	2024/02/27

Additional information

Legal information	This product family is in the scope of European Union directive 2012/19/EU on Waste Electrical and Electronic Equipment (WEEE). The product family must be disposed according to the legislation of the country. This document is intended for use by end of life recyclers or treatment facilities. It provides the basic information to assure an appropriate end of life treatment for the components and materials of the product.
In case of special transportation: transportation method	No

Recyclability potential	24%	Recyclability rate has been calculated based on REEECY'LAB tool developed by Ecosystem, for components/materials not covered by the tool, data from the "ECO'DEEE recyclability and recoverability calculation method" was taken. If no data was found a conservative assumption was used (0% recyclability).
--------------------------------	------------	---

Schneider Electric Industries SAS

Country Customer Care Center
<http://www.se.com/contact>

35, rue Joseph Monier

CS 30323

F- 92500 Rueil Malmaison Cedex

RCS Nanterre 954 503 439

Capital social 928 298 512 €

www.se.com

ENVEOLI2402006_V1

Published by Schneider Electric

© 2023 - Schneider Electric – All rights reserved

2024/02/27