

Crew LED Wall Light Installation Guide

We strongly recommend that you read this manual carefully before installation. Installation MUST be carried out by a qualified and licensed electrician.



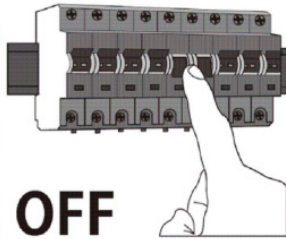
Replacement
Warranty

Models Parameters

MLXC34512W 12W LED Wall Light IP65 Tricolour White
MLXC34512M 12W LED Wall Light IP65 Tricolour Matt Black

Installation Instructions

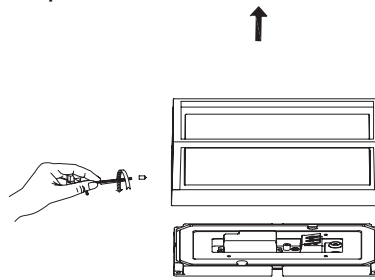
Step 1



OFF

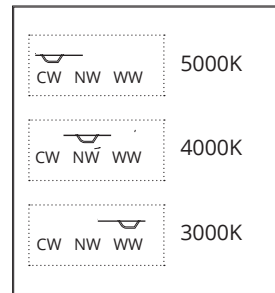
Switch off the mains.

Step 2



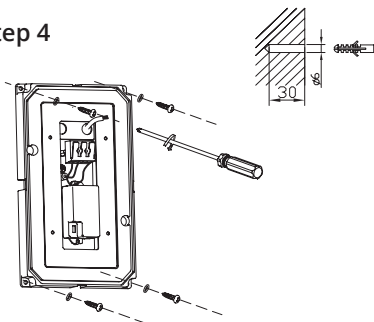
Unscrew and remove the mounting bracket using the allen key supplied.

Step 3



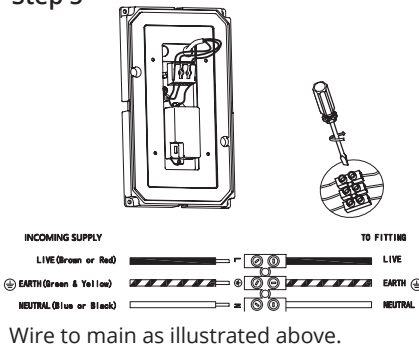
Choose colour temperature by flicking the switch.

Step 4



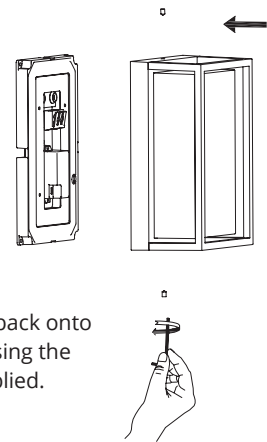
Mount the bracket on the desired surface using the four screws supplied.

Step 5



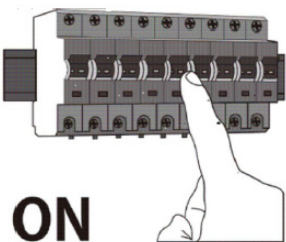
Wire to main as illustrated above.

Step 6



Attach fitting back onto the bracket using the allen key supplied.

Step 7

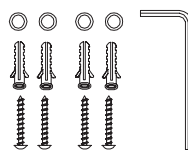


ON

Switch on the mains.

Accessories Included

1x allen key
4x washers
4x wall plugs
4x screws



Crew LED Wall Lights Installation Guide

Data Table

Models	Power (W)	PF	CCT (K)	Weight (KG)	Operation Temperature (Degree)	IP
MLXC34510W	12	≥ 0.5	3000 4000 5000		+40° -20°	65
MLXC34510M	12	≥ 0.5	3000 4000 5000		+40° -20°	65

WARNING

- Installation of product **MUST** follow SAA standards and meet local authority regulations.
- Installation **MUST** be carried out by a qualified and licensed electrician.
- Light **MUST** be earthed.
- Light **MUST** be firmly installed to a flat solid surface, wall or ceiling.
- **DO NOT** immerse any part of the light fitting into water or any form of liquid.
- **DO NOT** look directly into the LED light.
- The warranty is **VOID** if product is not installed according to this installation guide.

2 Year Replacement Warranty

Visit our website for details <https://www.martecaustralia.com.au/warranty-statement/>

