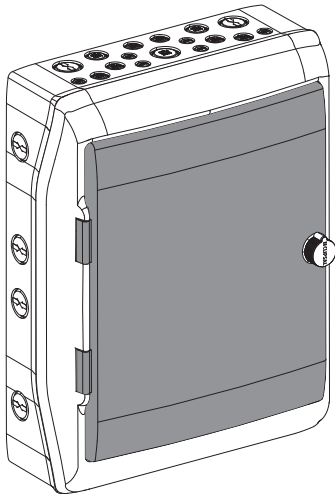




JPS26649



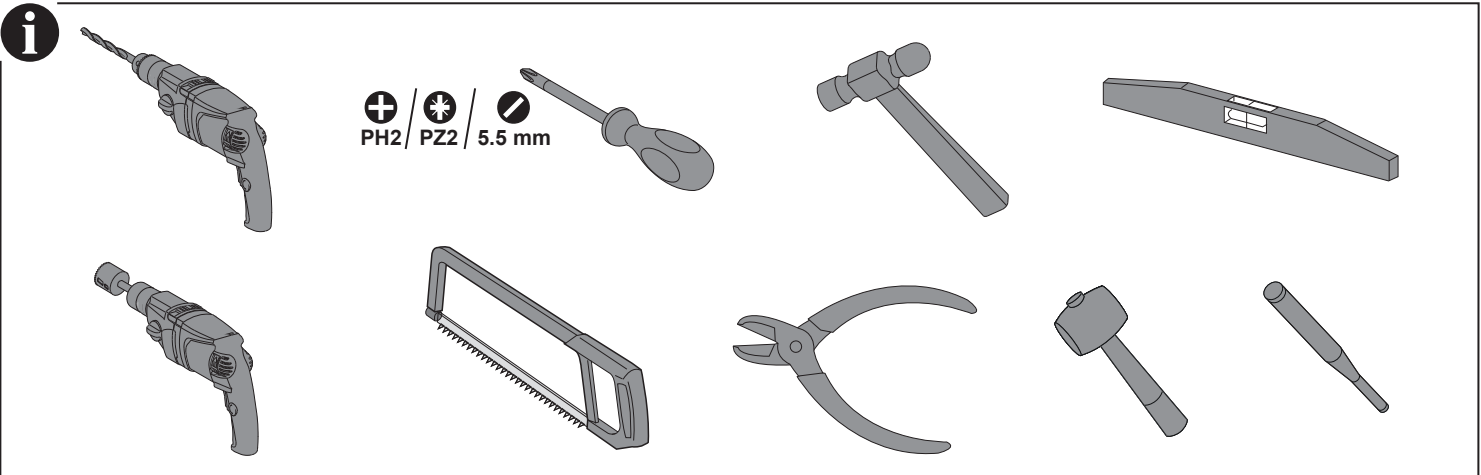
PLEASE NOTE

- The installation, maintenance and eventual replacement of this electrical equipment must only be carried out by a licensed electrician.
- This electrical equipment must not be repaired.
- All applicable local, regional and national regulations must be complied with during the installation, use, maintenance and replacement of this electrical equipment.
- This electrical equipment should not be installed if, when unpacking it, you observe that it is damaged.
- Clipsal cannot be held responsible in the event of noncompliance with the instructions in this document and in the documents to which it refers.
- The service instruction must be observed throughout the life time of this electrical equipment.
- This product is intended for outdoor application.

⚡ ⚠ DANGER

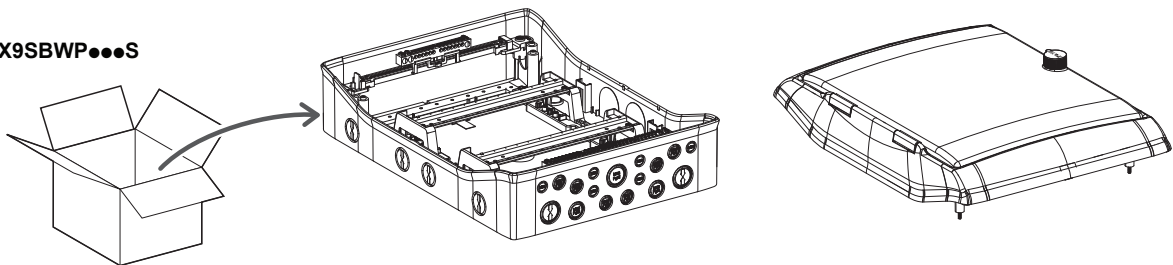
HAZARD OF ELECTRIC SHOCK, EXPLOSION OR ARC FLASH

- Turn off all power supplying this product before working on it.
 - Use a voltage tester with a suitable rated voltage in order to check that all active conductors aren't energized.
 - Carefully inspect the work area to check that no tools or objects could have been left inside the equipment.
- Failure to follow these instructions will result in death or serious injury.**



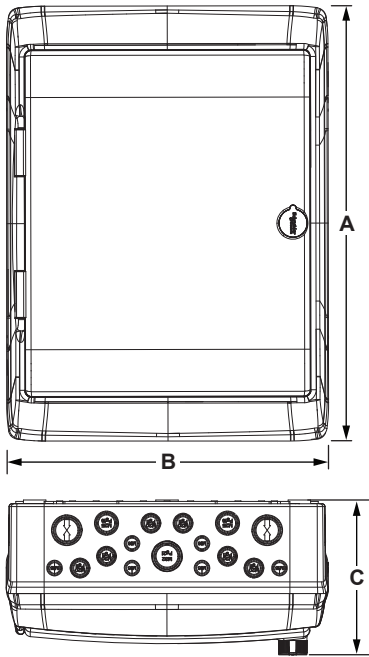
1 Package Contents

MX9SBWP...S



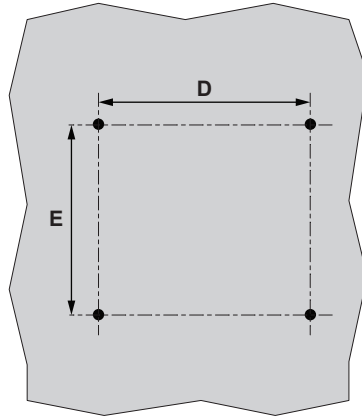
Commercial Reference	Instruction Sheet	Label	Pole Filler	Cable Guide	Hinge	Key Hole Cap
MX9SBWP212S	1	1	2	1	2	1
MX9SBWP312S	1	2	3	2	2	1

2 Dimensions



Commercial Reference	Module	Rows	A(mm)	B(mm)	C(mm)	D(mm)	E(mm)
MX9SBWP212S	12	2	460	340	164	280	251
MX9SBWP312S		3	610				401

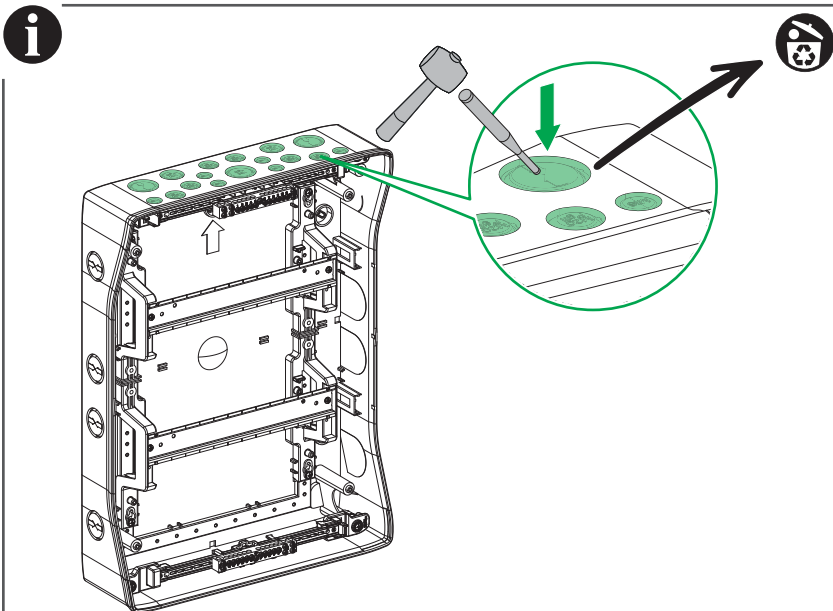
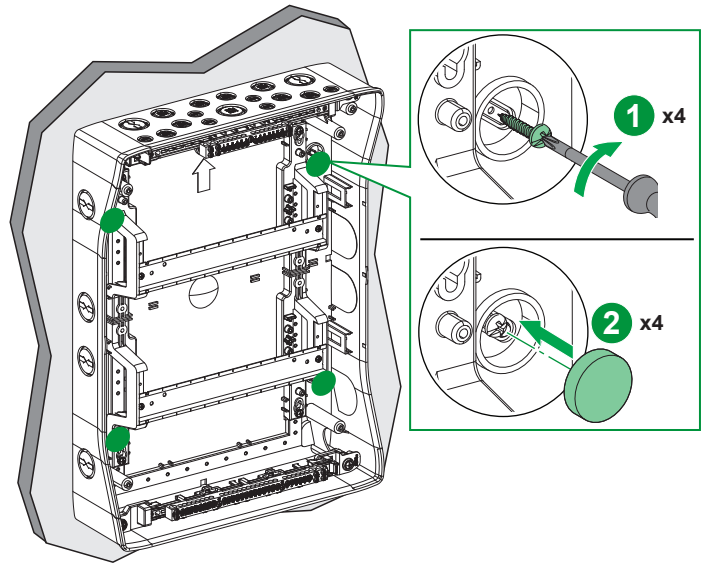
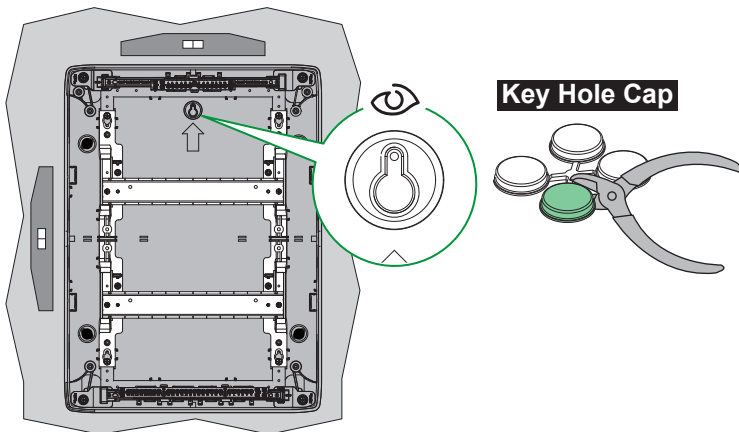
Drill the mounting hole dimension.



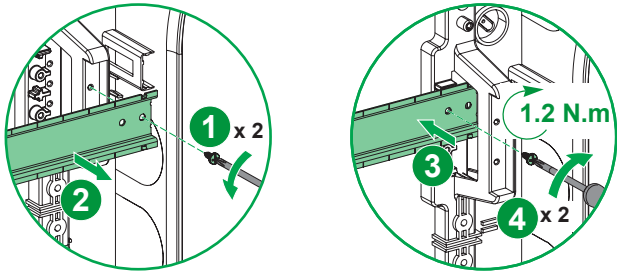
3 Distribution Board Installation

Use the center mounting hole to easily level the distribution board and mark the positions

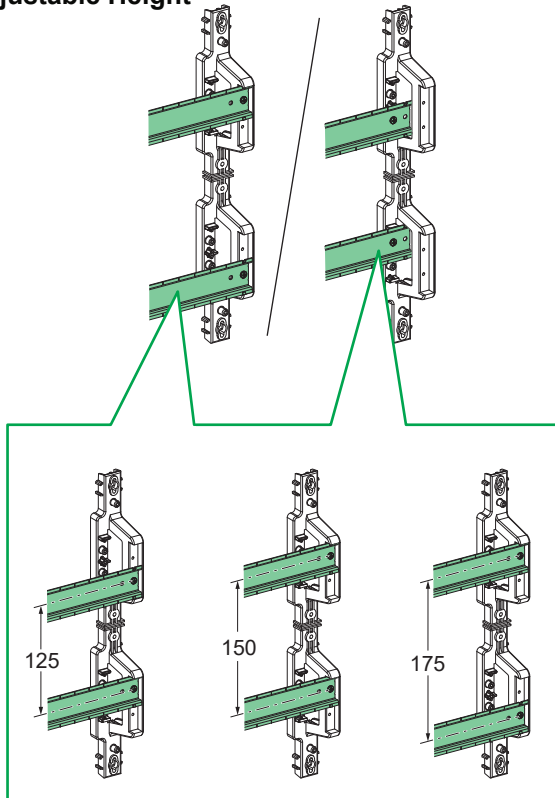
Install the distribution board on the wall using mounting holes.



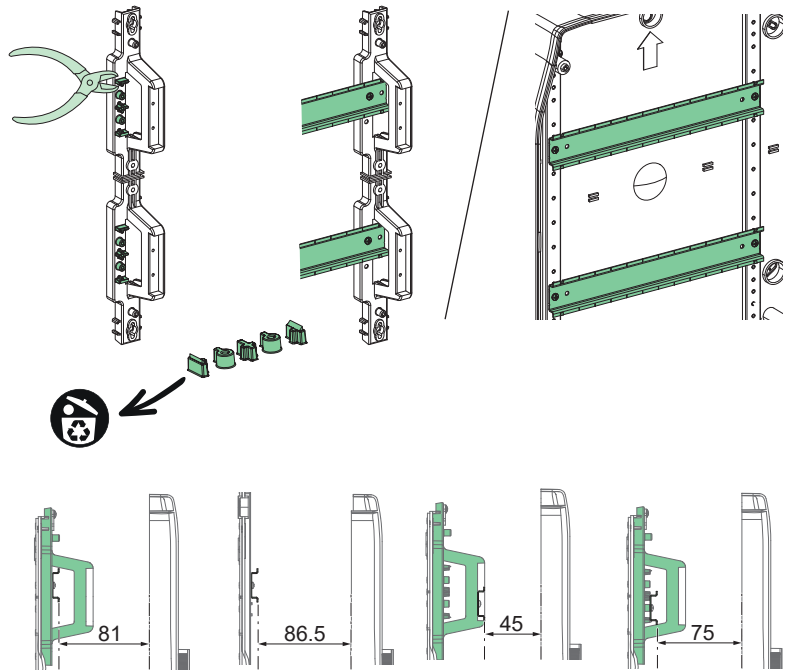
i Option to Adjust DIN Rail Position



Adjustable Height

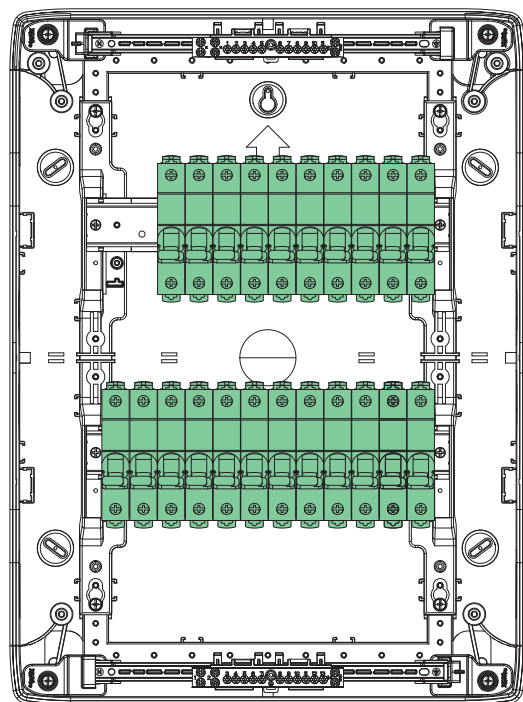
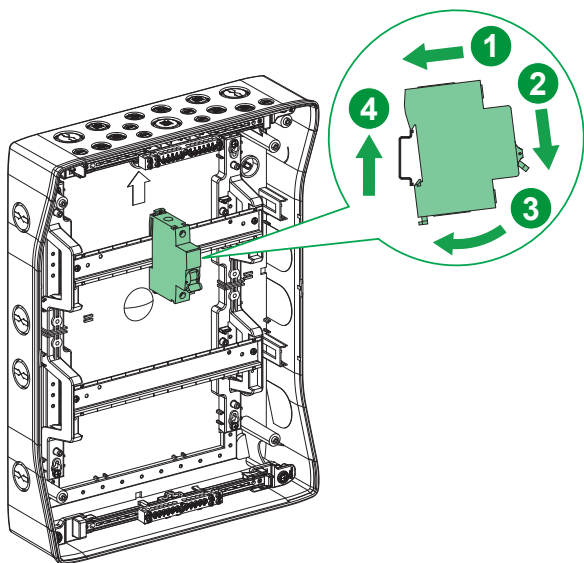


Adjustable Depth



Note: Refer to section 5 for instructions on adjusting the cover plate position when changing the DIN rail position.

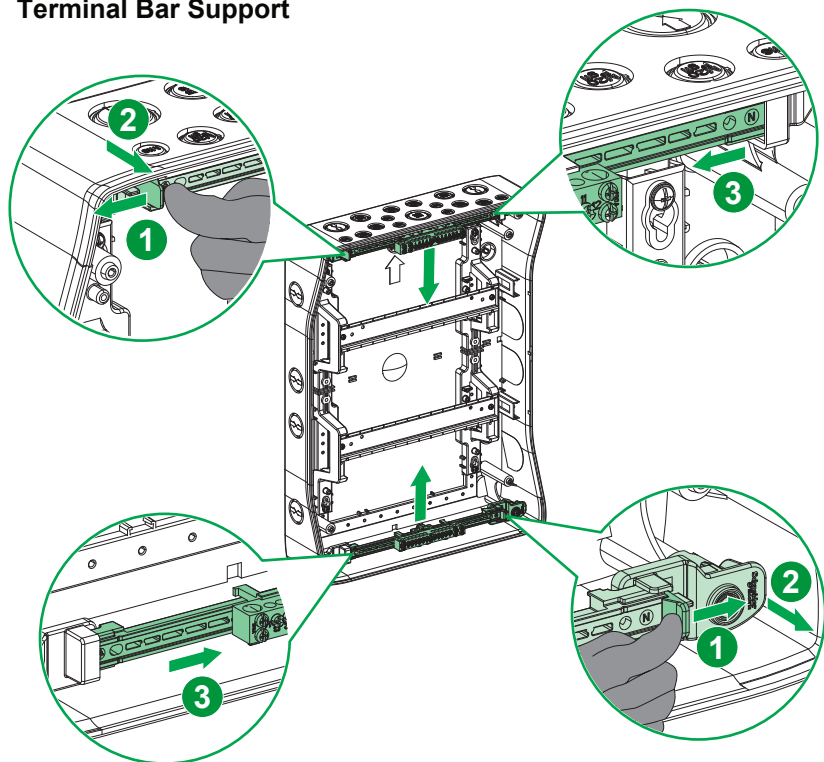
4 DIN Mounting of Devices



Note: Refer the device instruction sheet for more information.

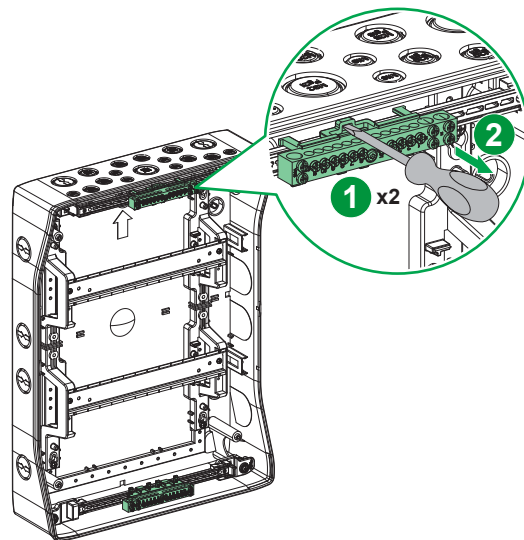
i Option to Swap Neutral and Earth Terminal Bar

Terminal Bar Support



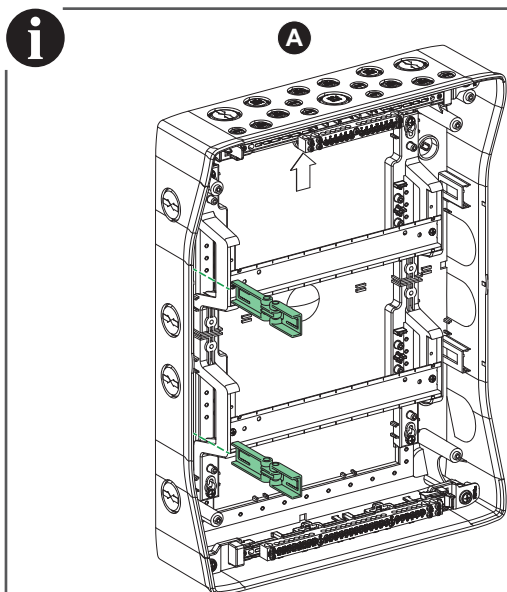
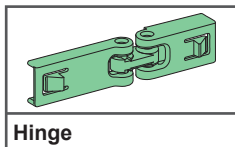
Note: After swapping, follow the steps in reverse order for fixing the terminal bar assembly.

Terminal Bar

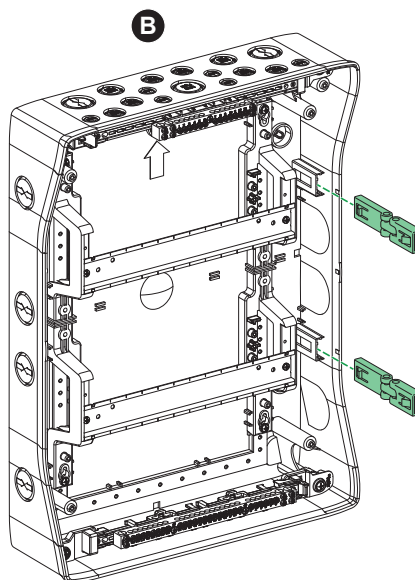


Terminal Screw in Earth or Neutral Bar	Screw		T
	⚓	⚙	
M4.5	6.5 mm	PZ2	2 N.m
M5	6.5 mm	PZ2	2 N.m

5 Assembly of Front Panel and Door



Left side front panel opening



Right side front panel opening

