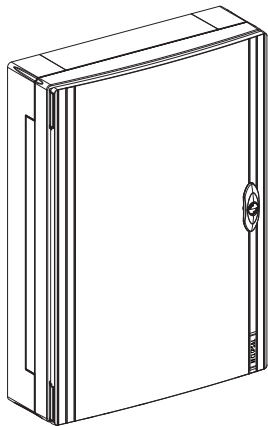
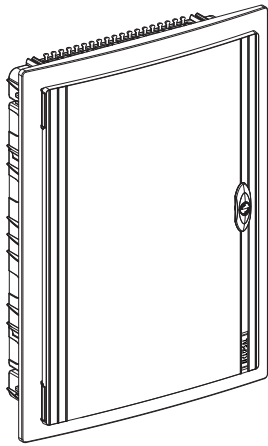




TME73186



MX9SB...S



MX9SB...F

PLEASE NOTE

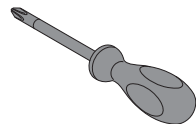
- The installation, maintenance and eventual replacement of this electrical equipment must only be carried out by a licensed electrician.
- This electrical equipment must not be repaired.
- All applicable local, regional and national regulations must be complied with during the installation, use, maintenance and replacement of this device.
- This product should not be installed if, when unpacking it, you observe that it is damaged.
- Clipsal cannot be held responsible in the event of noncompliance with the instructions in this document and in the documents to which it refers.
- The service instruction must be observed throughout the life time of this product.
- This product is intended for indoor application.

⚡ ⚠ DANGER

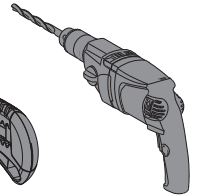
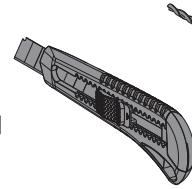
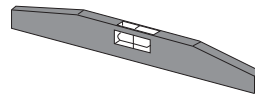
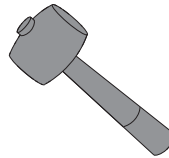
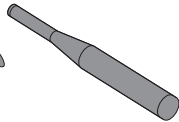
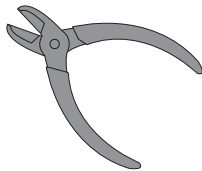
HAZARD OF ELECTRIC SHOCK, EXPLOSION OR ARC FLASH

- Turn off all power supplying this product before working on it.
- Use a voltage tester with a suitable rated voltage in order to check that all active conductors aren't energized.
- Carefully inspect the work area to check that no tools or objects could have been left inside the equipment.

Failure to follow these instructions will result in death or serious injury.



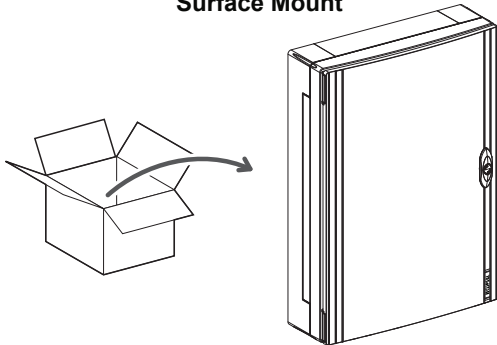
PH2 / PZ2 / 5.5 mm



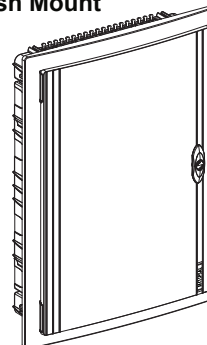
1 Unboxing

13/18 M

Surface Mount

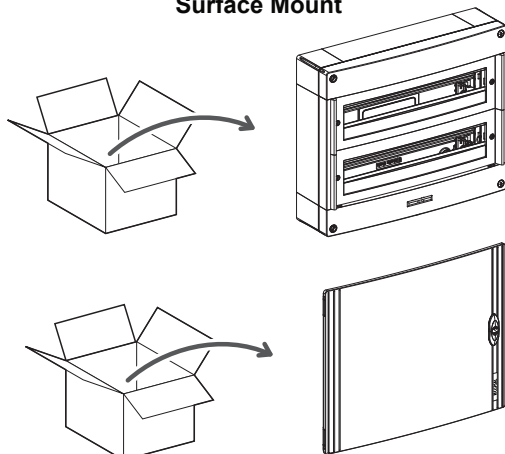


Flush Mount

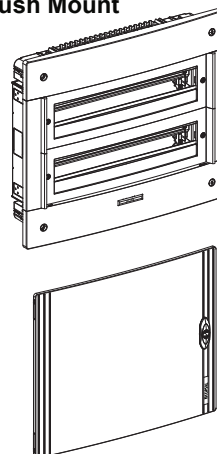



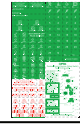
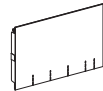
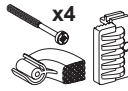

24 M

Surface Mount

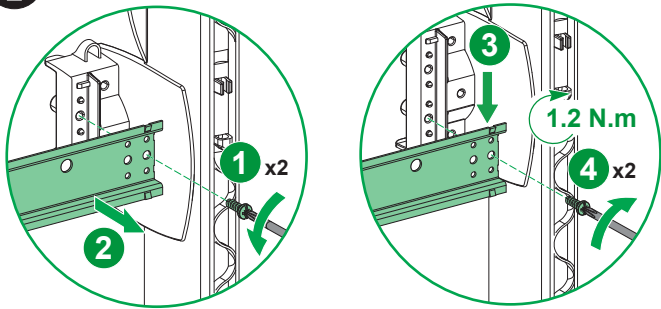


Flush Mount



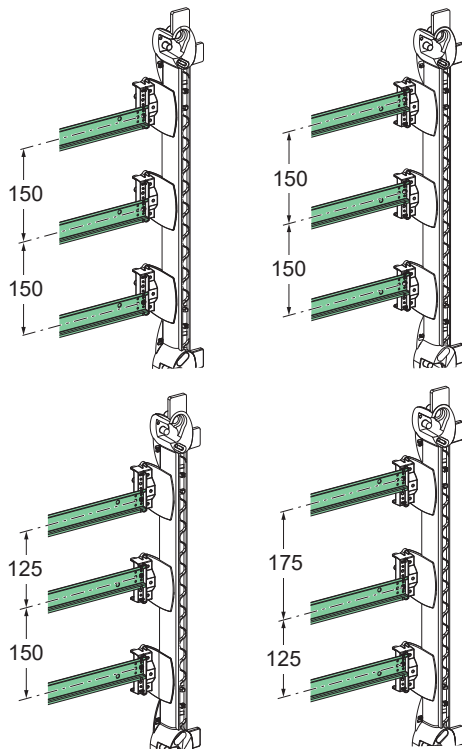
Commercial Reference	Instruction Sheet	Label	Pole Filler	Flush Mount Kit	Key Hole Cap	Washer
		 TME7318602			 x4	
MX9SB113S	1	1	2	-	1	-
MX9SB213S	1	2	2	-	1	-
MX9SB313S	1	2	3	-	1	-
MX9SB413S	1	2	4	-	1	-
MX9SB118S	1	1	2	-	1	-
MX9SB218S	1	2	3	-	1	-
MX9SB318S	1	2	4	-	1	-
MX9SB418S	1	3	6	-	1	-
MX9SB224S	1	2	4	-	1	1
MX9SB113F	1	1	2	1	-	-
MX9SB213F	1	2	2	1	-	-
MX9SB313F	1	2	3	1	-	-
MX9SB413F	1	2	4	1	-	-
MX9SB118F	1	1	2	1	-	-
MX9SB218F	1	2	3	1	-	-
MX9SB318F	1	2	4	1	-	-
MX9SB418F	1	3	6	1	-	-
MX9SB224F	1	2	4	1	-	1

i Option to Adjust DIN Rail Position



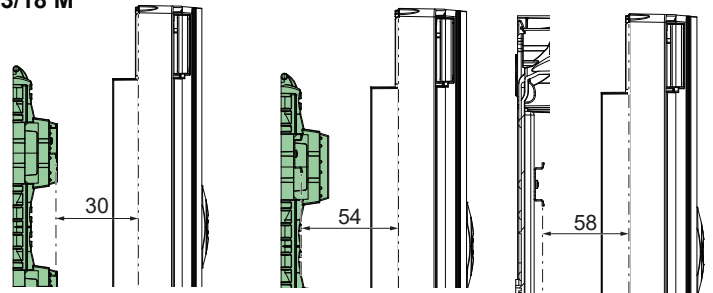
Note: Refer to Section 4 for instructions on adjusting the cover plate position when changing the DIN rail position.

Adjustable Height

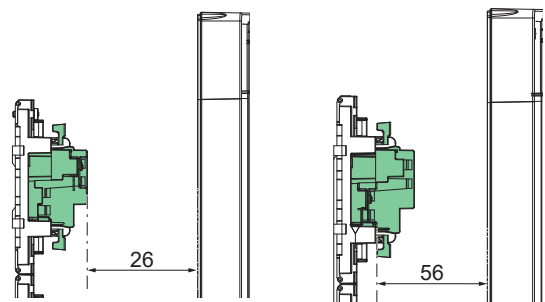


Adjustable Depth

13/18 M



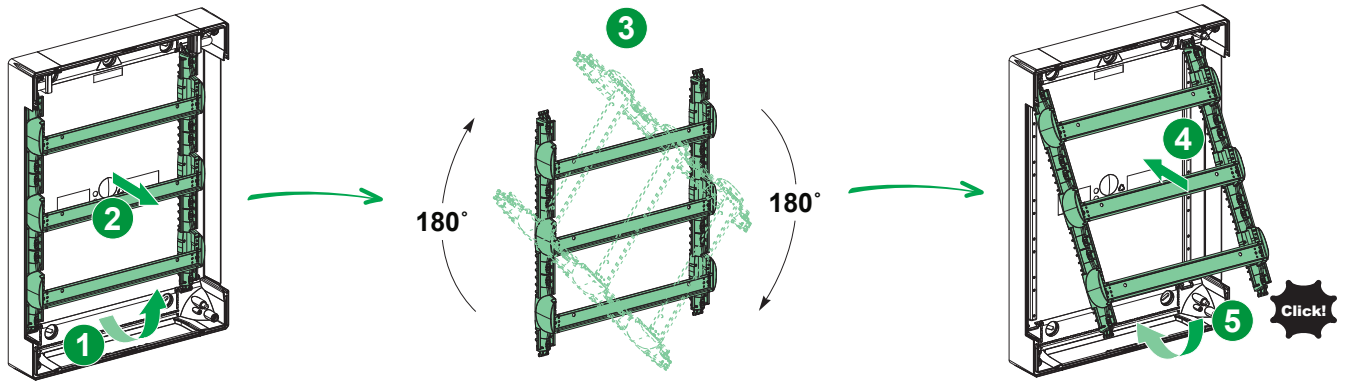
24 M



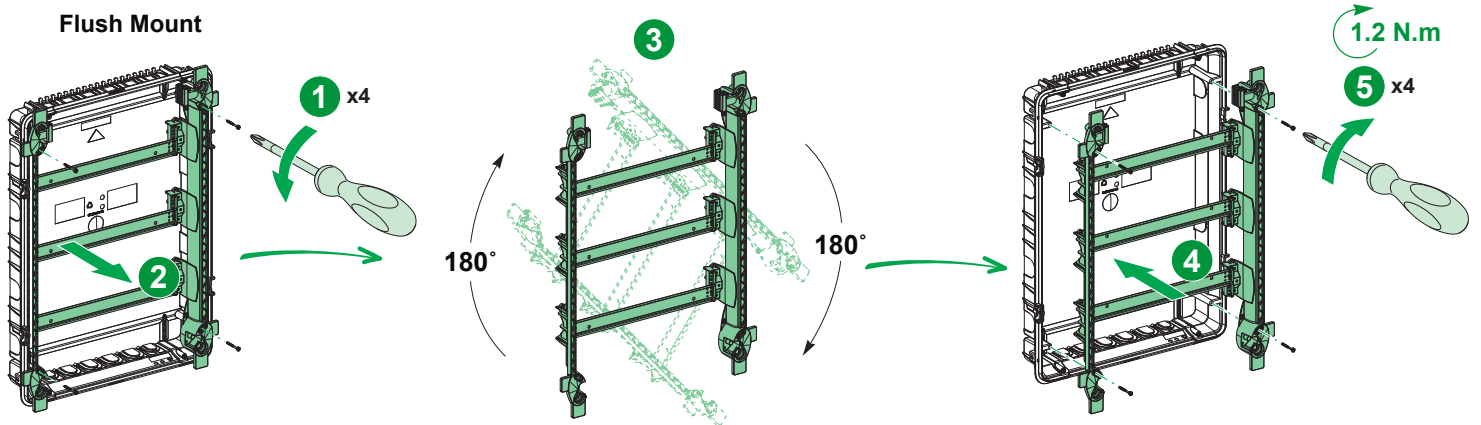


Option to Remove or Rotate DIN Assembly

Surface Mount



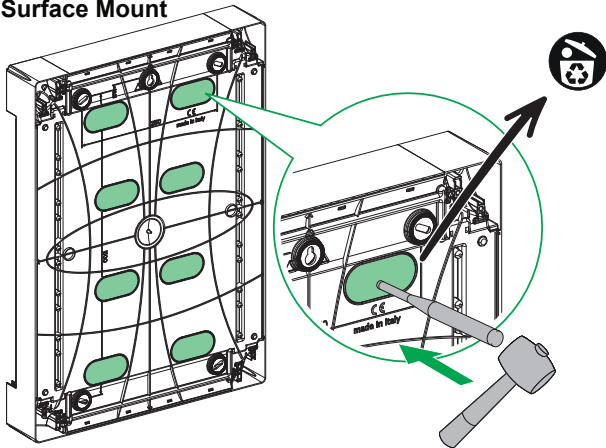
Flush Mount



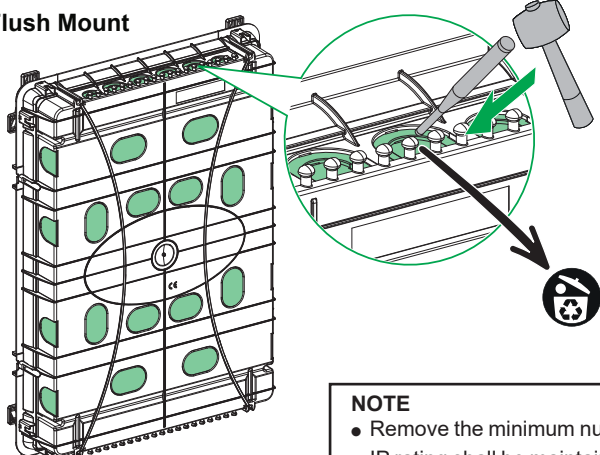
Cable Entry Knockouts

13/18 M

Surface Mount

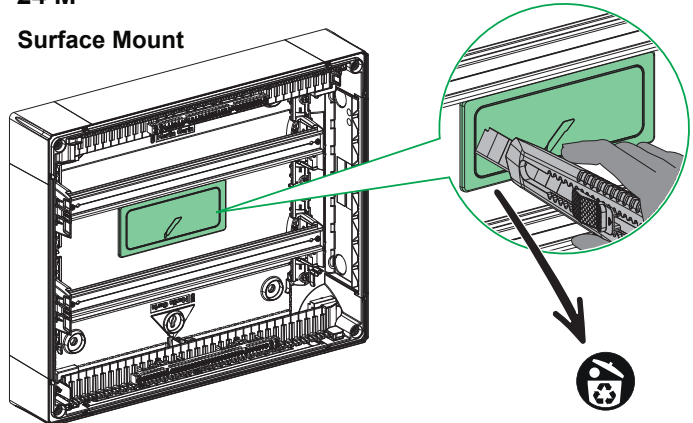


Flush Mount

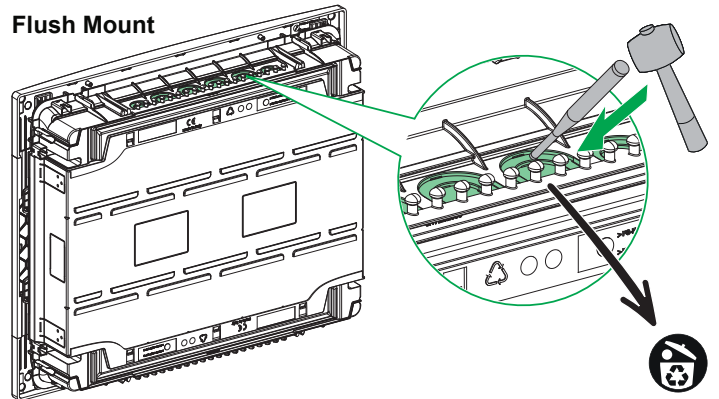


24 M

Surface Mount



Flush Mount

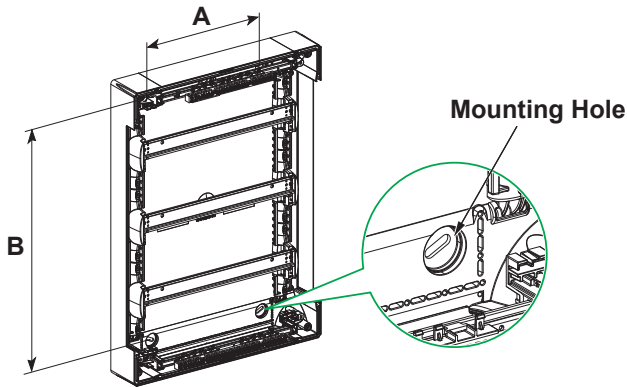


NOTE

- Remove the minimum number of knockouts required for the incoming and outgoing cables to pass through easily.
- IP rating shall be maintained, suitable cable protection shall be applied with appropriate conduit.

2 Enclosure Mounting

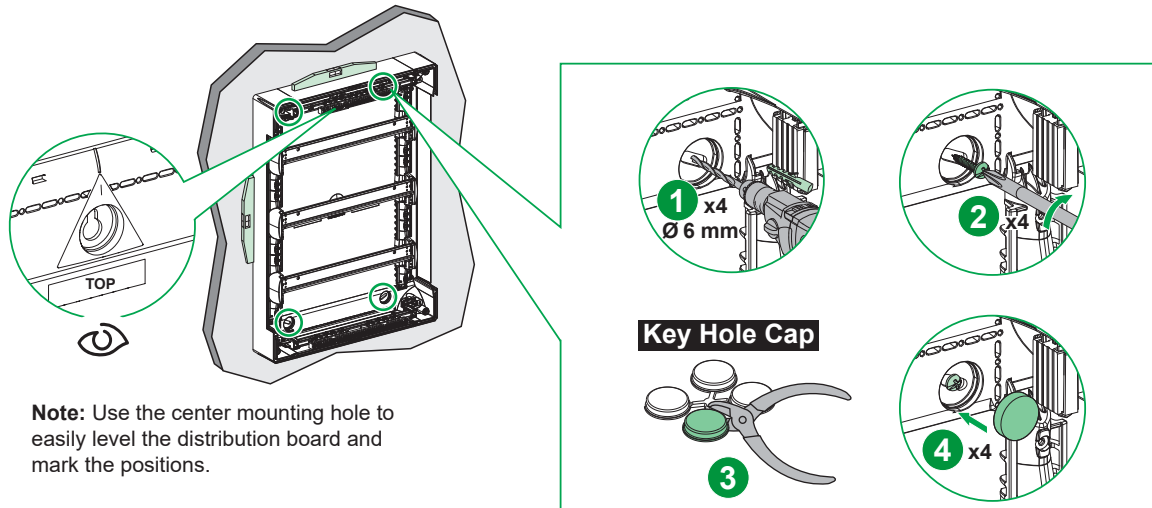
2.1 Surface Mount



Commercial Reference	A (mm)	B (mm)
MX9SB113S	160	200
MX9SB213S	160	350
MX9SB313S	160	500
MX9SB413S	160	650
MX9SB118S	250	200
MX9SB218S	250	350
MX9SB318S	250	500
MX9SB418S	250	650
MX9SB224S	340	300

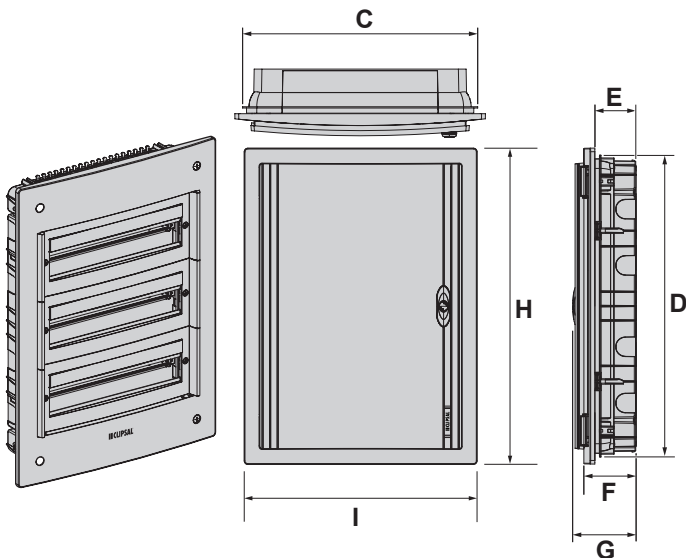
Note: Install the distribution board on the wall using mounting holes.

Note: For the surface mount, mark the points corresponding to the back box keyholes and drill the holes accordingly.



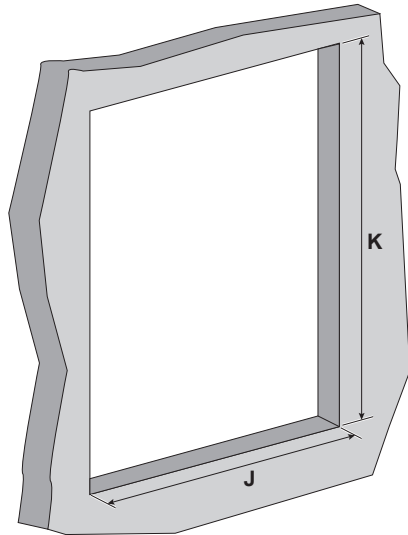
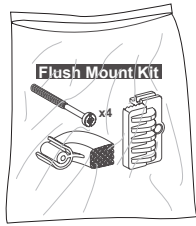
Note: Use the center mounting hole to easily level the distribution board and mark the positions.

2.2 Flush Mount

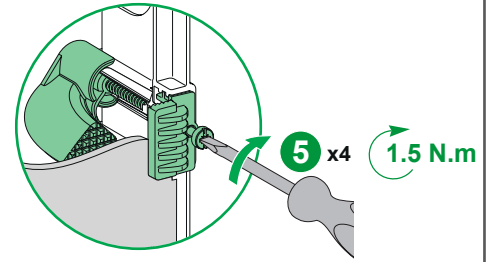
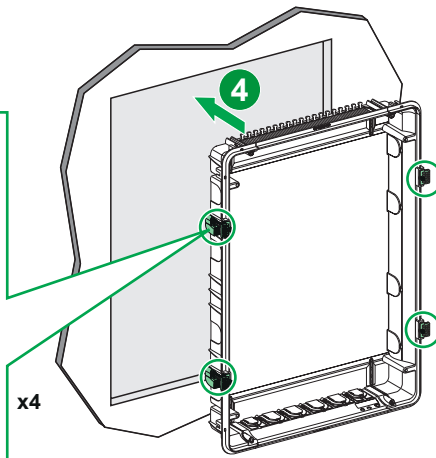
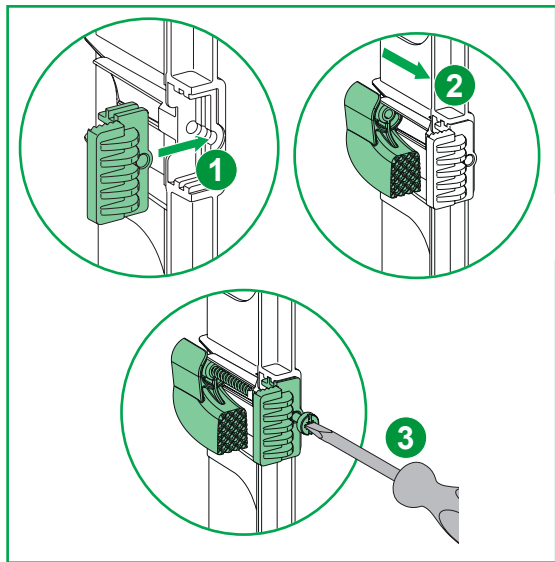
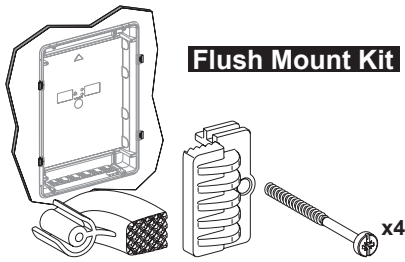


Commercial Reference	C (mm)	D (mm)	E (mm)	F (mm)	G (mm)	H (mm)	I (mm)
MX9SB113F	336	330	86.5	111.5	135.5	360	396
MX9SB213F		480				510	
MX9SB313F		630				660	
MX9SB413F		780				810	
MX9SB118F	456	330	86.5	111.5	137.5	360	486
MX9SB218F		480				510	
MX9SB318F		630				660	
MX9SB418F		780				810	
MX9SB224F	570	480	95	125.5	151.5	510	610

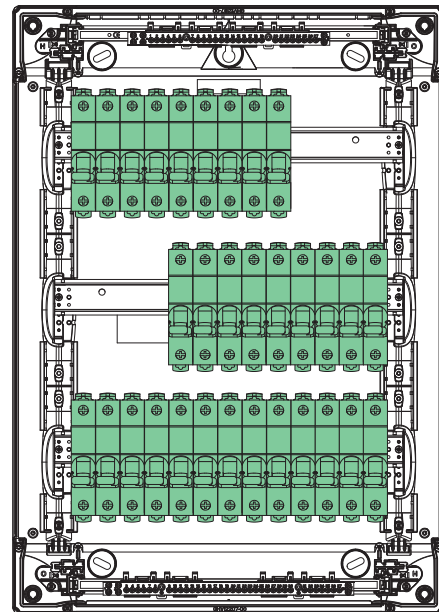
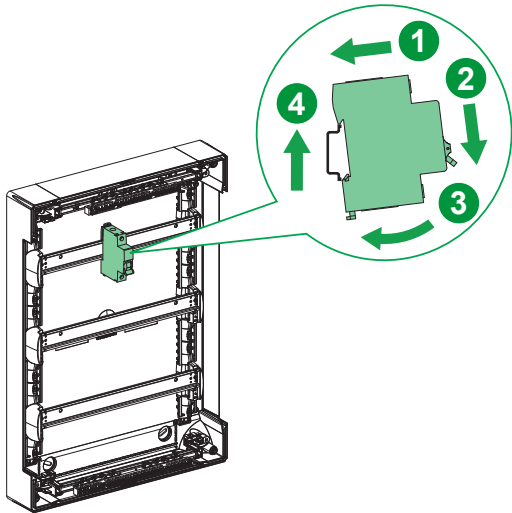
Note: For the flush mount, fix the back box in the wall cavity with outer edges projecting out the wall's surface (marking provided).



Module Per Row	No of Rows	J (mm)	K (mm)
13	1	371	335
	2		485
	3		635
	4		785
18	1	461	335
	2		485
	3		635
	4		785
24	2	575	485



3 DIN Mounting of Devices



Note: Refer the device instruction sheet for more details.

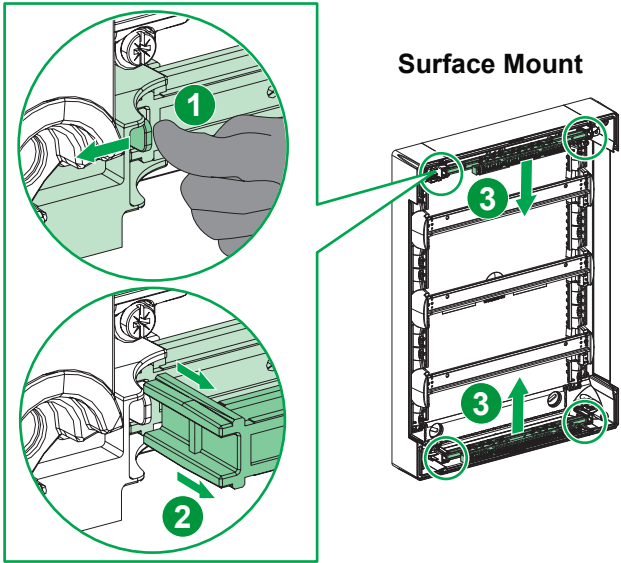


Option to Swap Neutral and Earth Terminal Bar

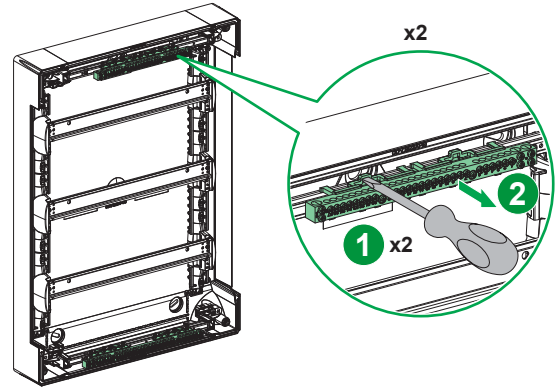
13/18 M

Terminal Bar Support

x4



Terminal Bar

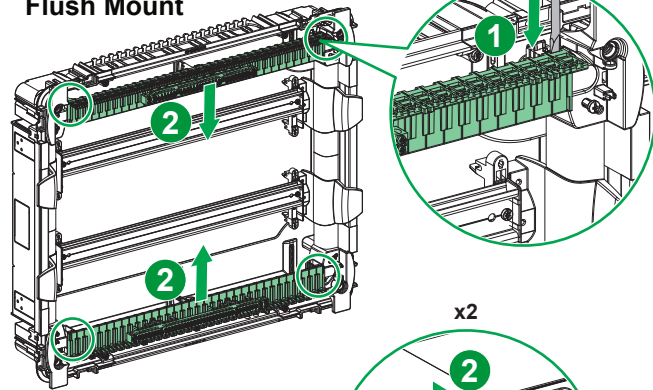


Surface Mount / Flush Mount

24 M

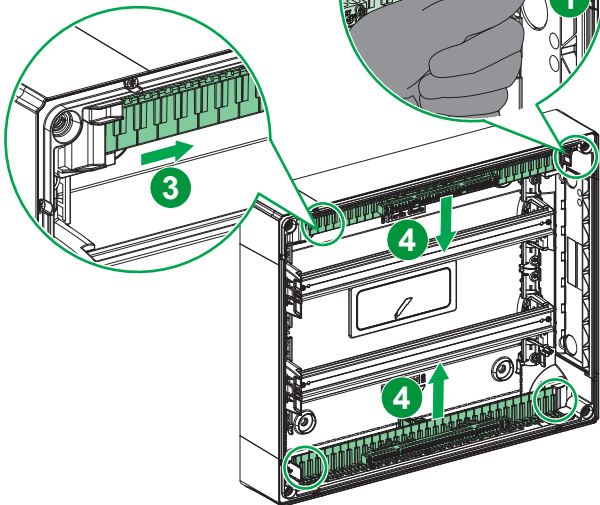
Terminal Bar Support

Flush Mount

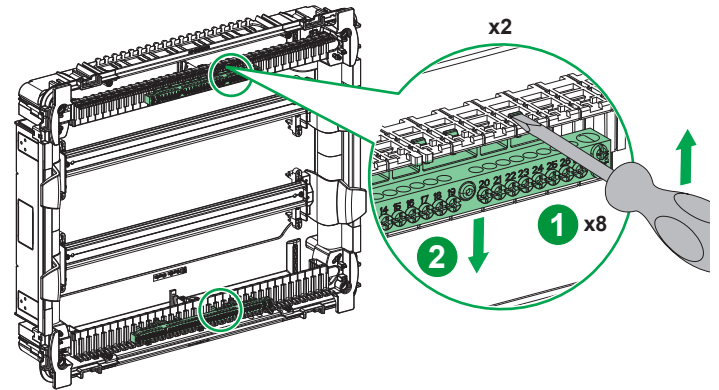


Surface Mount

x2



Terminal Bar



Surface Mount / Flush Mount

Neutral and Earth Terminal Bar Screws			
M4.5	6.5 mm	PZ2	2 N.m
M5	6.5 mm	PZ2	2 N.m

Note: After swapping, follow the steps in reverse order for fixing the terminal bar assembly.

WARNING

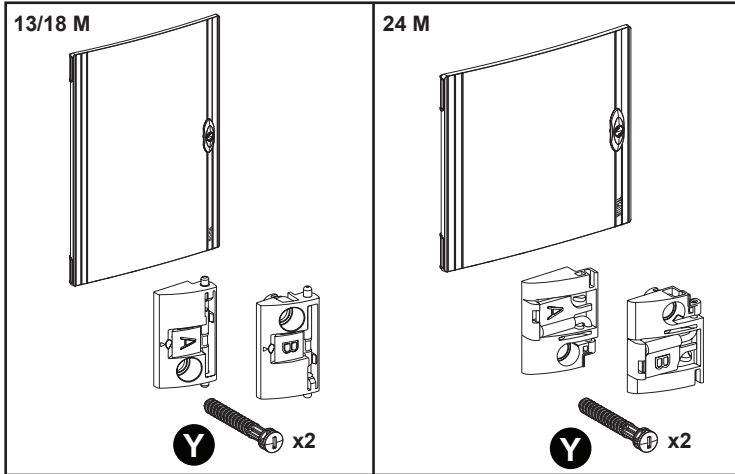
HAZARD OF FIRE

For the installations where there is no MEN connection inside the MAX9 switchboard, ensure that the earth and neutral terminal bars are isolated with a minimum separation of 10 mm. If this separation cannot be maintained, use the LV5XK1 terminal block support kit (applicable for 13/18 module boards) and install the earth bar on a separate row to ensure safe isolation.

Failure to follow these instructions can result in death, serious injury, or equipment damage.

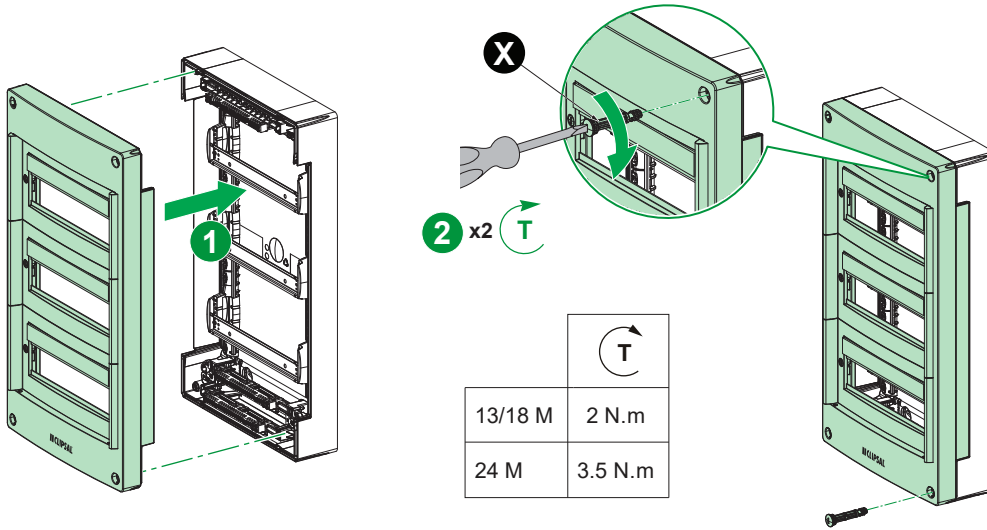
4 Assembly of Front Panel and Door

i

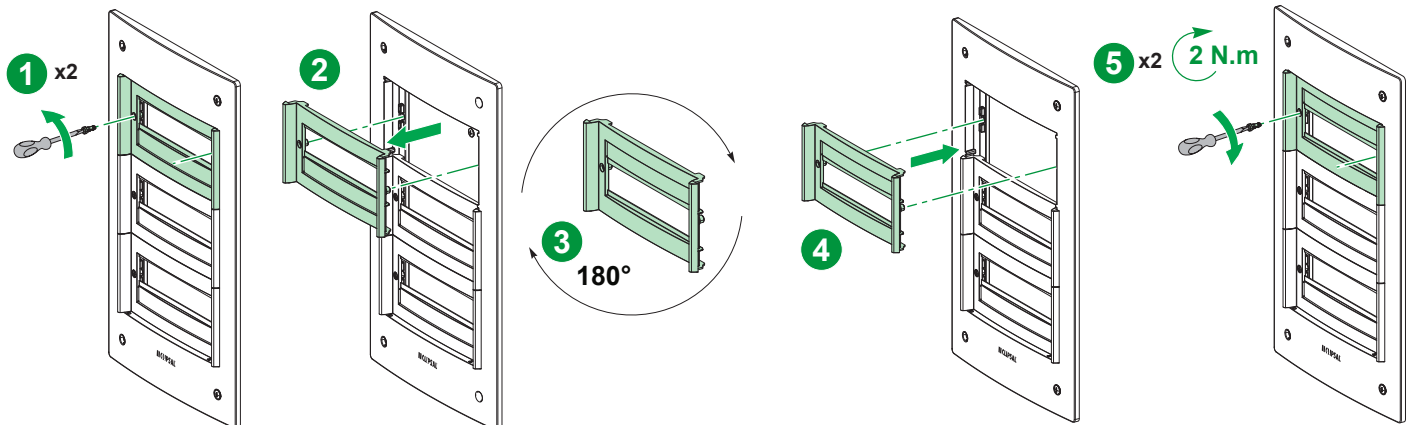


Note: Shorter length screw (X) to be used for front panel assembly (refer 4.1).
Longer length screw (Y) to be used for hinge assembly.

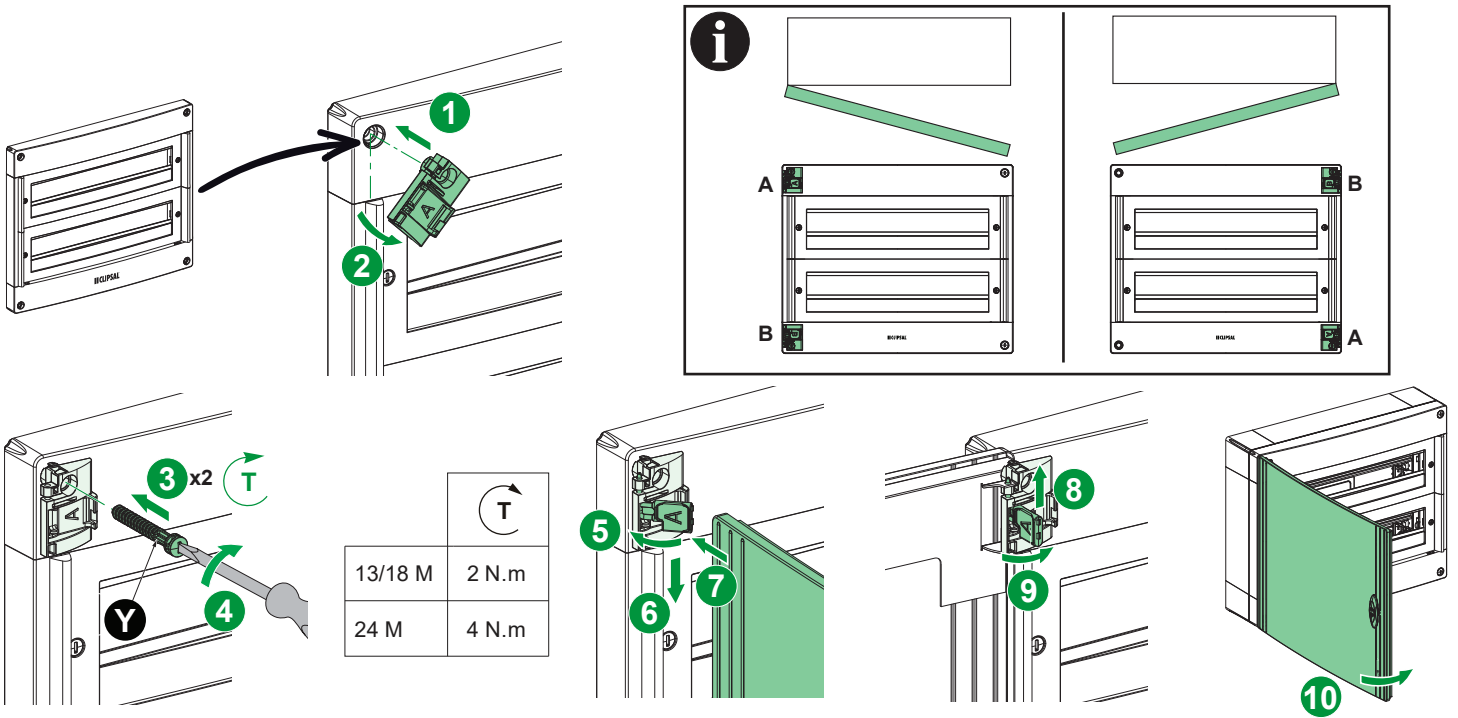
4.1 Front Panel Assembly



i Cover Plate Adjustment



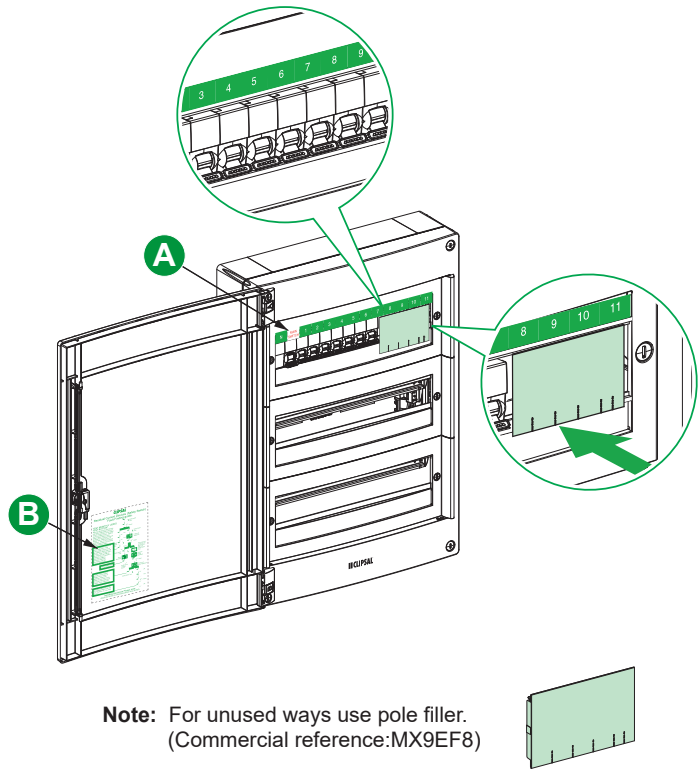
4.2 Door Assembly



4.3 Labelling and Assembly of Pole Filler

NOTE: GREEN LEVEL - ALL TO BE USED BY A LICENSED ELECTRICIAN. PROTECTED BY RESIDUAL CURRENT DEVICE.	NOTE: RED LEVEL - ALL TO BE USED BY A LICENSED ELECTRICIAN. NOT PROTECTED BY RESIDUAL CURRENT DEVICE.				
INSTALLED BY					
PHONE No.					
MAIN EARTH LOCATION					
1	2	3	4		
5	6	7	8		
13	14	15	16		
17	18	19	20		
21	22	23	24		
25	N	NL	NL		
3-PHASE POWER					

A **B**



Clipsal by Schneider Electric (Australia) Pty Limited
33-37 Port Wakefield Road
Gepps Cross
South Australia 5094

Customer Care Centre
Tel: 13 73 28
Email: customercare.au@se.com
www.clipsal.com
TME7318602-00



Life Is On

CLIPSAL
by Schneider Electric