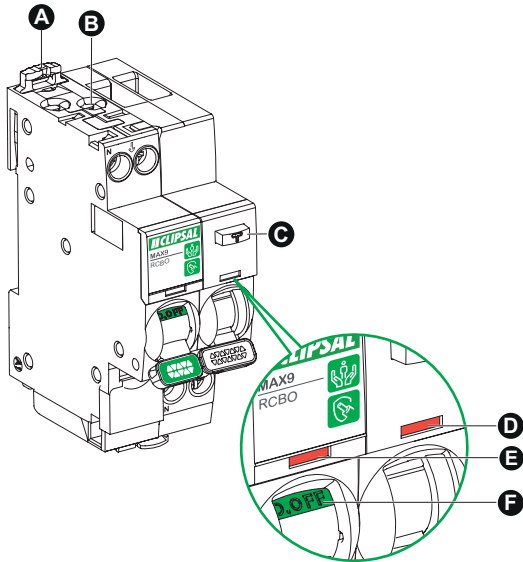


Residual current circuit breaker with overcurrent protection (RCBO)
Compliant with AS/NZS 61009.1

PLEASE NOTE

- The installation, maintenance and eventual replacement of this device must only be carried out by a qualified electrician.
- This device must not be repaired.
- All applicable local, regional and national regulations must be complied with during the installation, use, maintenance and replacement of this device.
- This device should not be installed if, when unpacking it, you observe that it is damaged.
- Schneider Electric cannot be held responsible in the event of noncompliance with the instructions in this document and in the documents to which it refers.
- The service instruction must be observed throughout the life time of this device.

1 Description



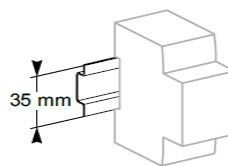
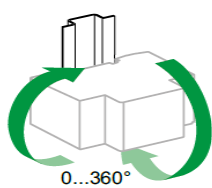
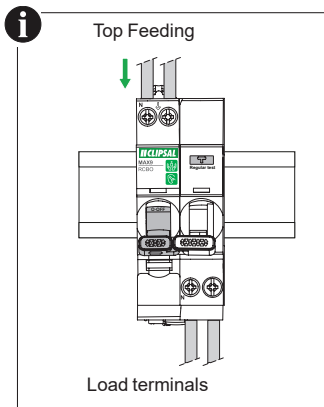
- A** Clip for DIN rail mounting
- B** Connection terminals
- C** Test button
- D** VISI-TRIP: Earth leakage fault tripping
- E** VISI-TRIP: Short-circuit and overload fault tripping
- F** VISI-SAFE: Positive contact indication

2 Installation

⚠ ⚠ DANGER

HAZARD OF ELECTRIC SHOCK, EXPLOSION OR ARC FLASH

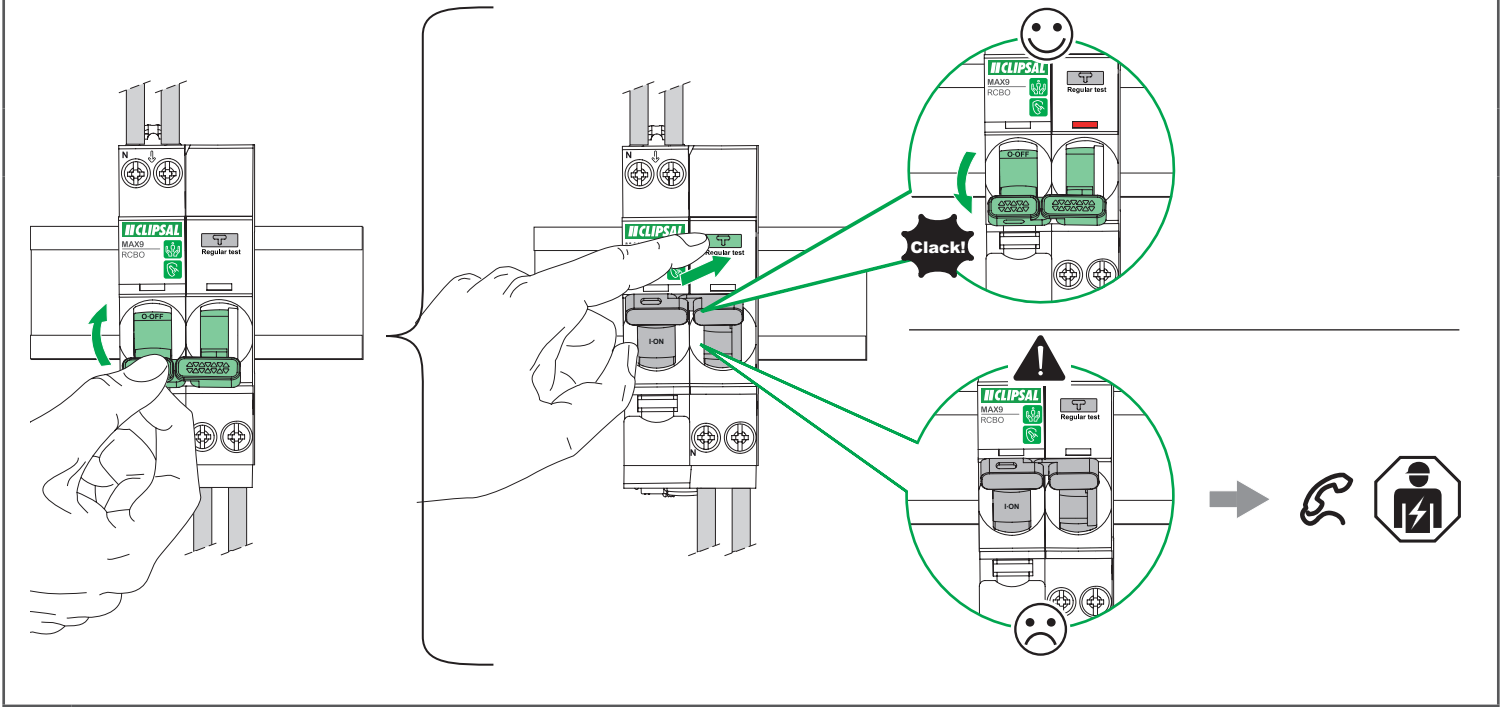
- Turn off all power supplying this device before working on it.
 - Use a voltage tester with a suitable rated voltage, in order to check that all active conductors aren't energized.
- Failure to follow these instructions will result in death or serious injury.



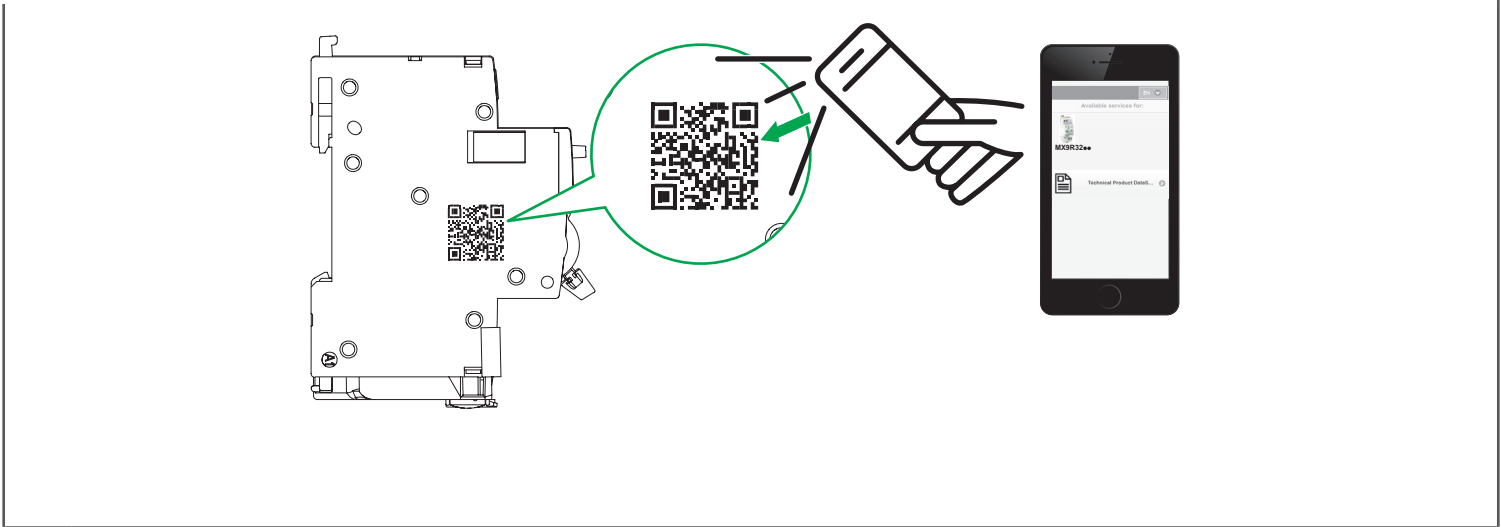
14 mm	1...16 mm ²	1...10 mm ²
2 N.m	5.5 mm	PZ2

3 Regular test

Note: Test the device at regular intervals by pressing the Test button (marked T), following the intervals defined in your local regulations or monthly.



4 More information...



Clipsal by Schneider Electric (Australia) Pty Ltd
33-37 Port Wakefield Road
Gepps Cross
South Australia 5094

Customer Care Centre
Tel: 1300 369 233
Email: customercare.au@se.com
Fax: 1300 369 288
www.clipsal.com
JYT3818200-00