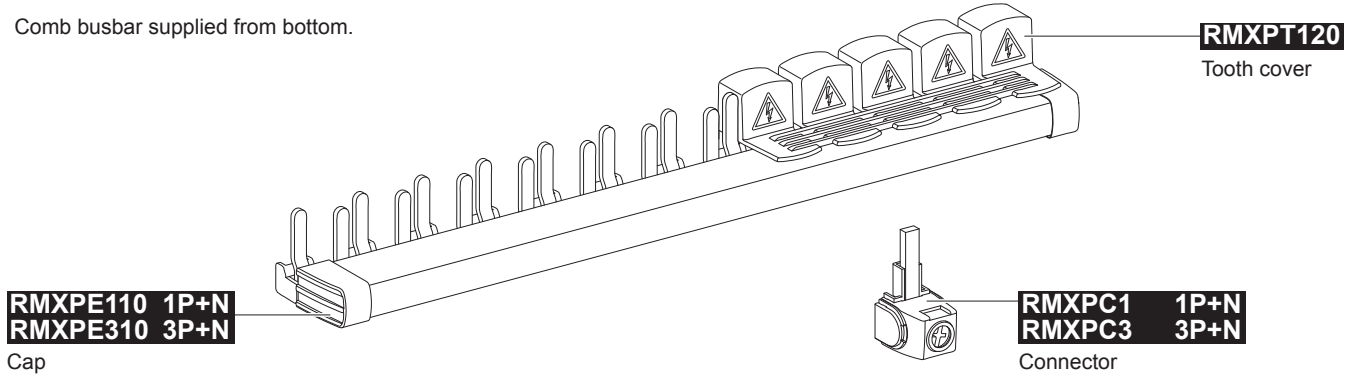


RMXPH105 - RMXPH112 - RMXPH124 - RMXPH312 - RMXPH324

Comb busbar supplied from bottom.



- Insulation voltage: $U_i = 500V$
- Permissible current at 40°C: 80A
- Short circuit current withstand: compatible with the breaking capacity of Clipsal modular circuit breakers.
- IEC 61439-1
- IEC 60947-7-1

			RCBO - RCBE●●●/●● - 4RCBE●●●/●●
RMXPH105	1P+N	5 modules	■
RMXPH112	1P+N	12 modules	■
RMXPH124	1P+N	24 modules	■
RMXPH312	3P+N	12 modules	■
RMXPH324	3P+N	24 modules	■

CLIPSAL®

by Schneider Electric

⚠️ DANGER

HAZARD OF ELECTRIC SHOCK, EXPLOSION, OR ARC FLASH

- Remove the copper chips after cutting the comb.
- Fit a cap at each end of the comb.

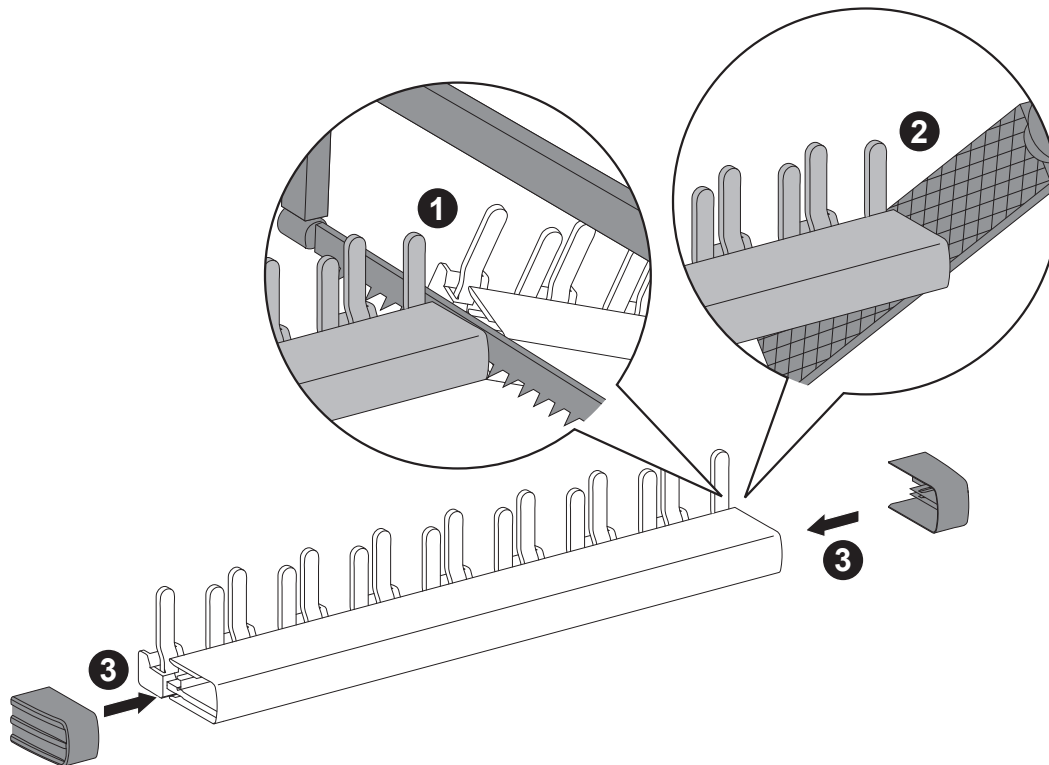
Failure to follow these instructions will result in death or serious injury.

⚠️ CAUTION

RISK OF CUTTING

- Use a saw and protections to avoid injury.
- Use a file to round off the cut ends of the comb.

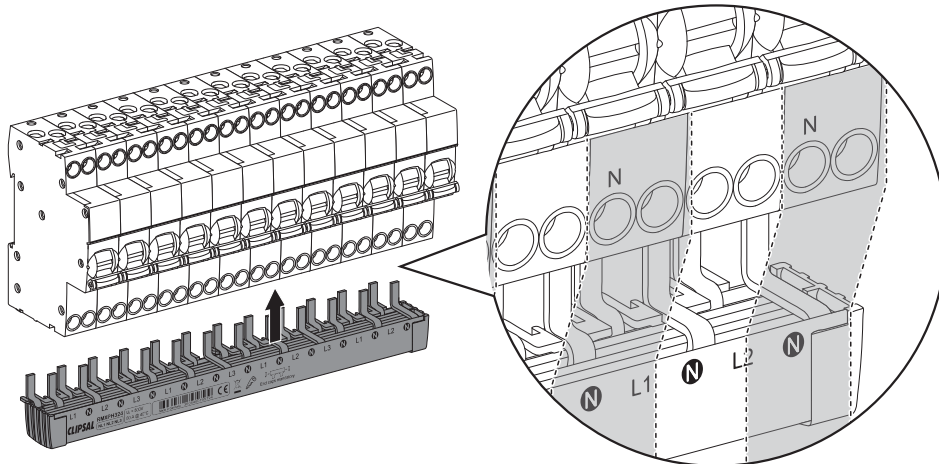
Failure to follow these instructions can result in injury or equipment damage.



⚠ ⚠ DANGER

HAZARD OF ELECTRIC SHOCK, EXPLOSION, OR ARC FLASH

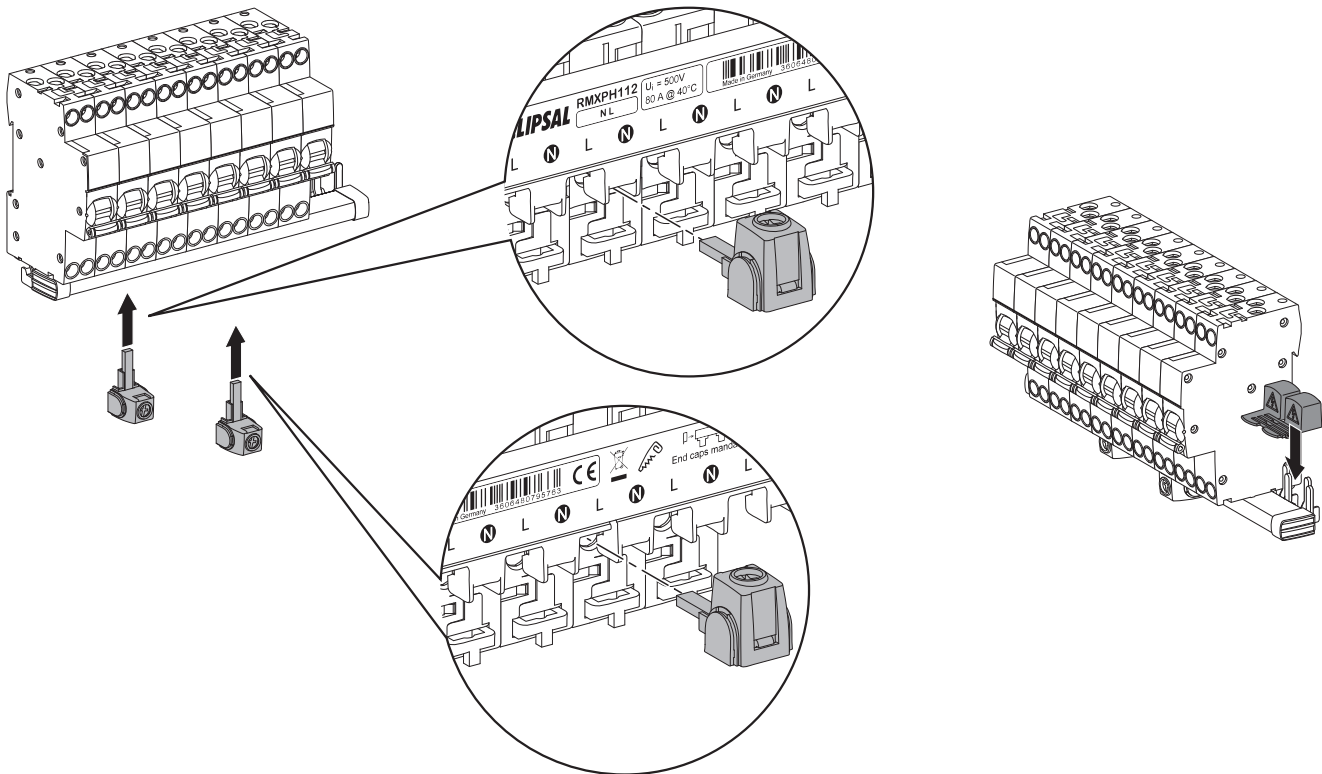
- Install a 3P+N comb by positioning the side of the comb marked (N L1, N L2, N L3) towards you.
 - Check that the neutral (N) is positioned on the neutral terminal of each device in the row.
- Failure to follow these instructions will result in death or serious injury.



⚠ ⚠ DANGER

HAZARD OF ELECTRIC SHOCK, EXPLOSION, OR ARC FLASH

- Fit a tooth cover on any tooth not connected to switchgear.
- Failure to follow these instructions will result in death or serious injury.



Schneider Electric (Australia) Pty Ltd

33-37 Port Wakefield Road
Gepps Cross
South Australia 5094

PO Box 132, Enfield Plaza
South Australia 5085
NHA2951001-02

National Customer Care
Enquiries: 1300 2025 25
Email: plugin@clipsal.com.au

Access this document directly:
clipsal.com/brochures

This product must be installed, connected and used in compliance with prevailing standards and/or installation regulations.

As standards, specifications and designs change from time to time, always ask for confirmation of the information given in this publication.