

# User Manual



## Model: R240P

### 240V Mains Power Photoelectric Smoke Alarm with 9V Battery Backup (RF Module Optional)

## INTRODUCTION

**IMPORTANT:** If you are installing this product for use by others, you must leave this manual (or a copy of it) for the end user.

Add the RF module (RFMOD) to this smoke alarm to enable wireless interconnection with other RF wireless alarms/products from Red Smoke Alarms.

R240P is a photoelectric smoke alarm that provides versatile functionality. It operates on 240V mains power with backup from a 9V alkaline battery. Additionally, it can be interconnected with other 240V Red smoke/heat alarms, and there is an option for wireless interconnection using an RF module. The alarm is designed for easy slide base installation.

## SPECIFICATION

Power Supply:	220-240V, 50Hz (As mains power source) 9V Alkaline Battery (As backup power)
Operating Current:	≤48 mA
Sensing Type:	Type A Photoelectric smoke alarm - contains NO radioactive material
Temperature Range:	0°C to 45°C
Humidity Range:	5% to 95% (non-condensing)
Interconnecting:	40 alarms (wired: 20 alarms max, wireless: 20 alarms max)
Sound Level:	> 85dB at 3 metres minimum
Alarm Condition:	Audible signal pattern (ISO 8201)
Visual Indicators:	1 LED (Green) when AC Mains is ON 1 LED (Red) for Warning, Low Battery, Fault and Memory Function
Standards:	AS 3786:2014+A1:2015+A2:2018
Maximum Lifespan:	10 years
Type of Installation:	Indoor

## BATTERY

This smoke alarm is powered by 220-240V AC as its primary source, with a 9V backup battery that automatically engages during power failures. The alkaline battery ensures uninterrupted functionality for a minimum of 1 to 3 months during extended outages. Promptly replace the battery upon receiving the Low Battery Signal to maintain optimal performance. De-energise alarm before battery replacement by removing the old battery and holding the test/hush button for more than 3 seconds.

NOTE: Test the smoke alarm operation whenever the battery is replaced.

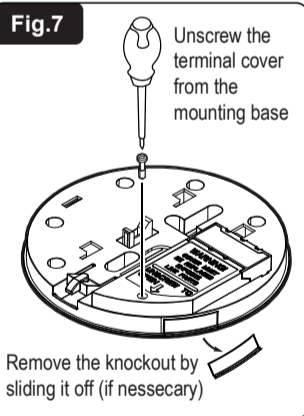
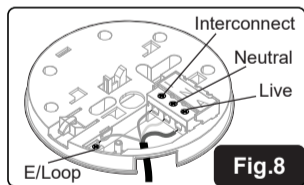
- In areas where bugs or insects are present, address the issue before installing the smoke alarm. Although all smoke alarms built since 1985 are designed to prevent bugs from entering the detection chamber, bugs may still build up on chamber openings and prevent smoke from entering. If bugs are present, vacuum the unit frequently as described in the maintenance section.
- Installing the alarm within one meter of a fluorescent or compact fluorescent lamp may cause electrical noise, leading to nuisance alarms.

## INSTALLATION - WIRED CONNECTION

### 1 Remove the Terminal Cover

Use an insulated screwdriver to unscrew the terminal cover from the mounting base. See Fig.7.

### 2 For the installation of the hardwire and connection of terminals on the mounting base, please remove the knockout if necessary. See Fig.7.



#### INSTALLER PLEASE NOTE:

- **WARNING:** Please ensure to disconnect the mains power from the circuit.
- Prior to connecting the mains power, ensure wiring polarity is correct.

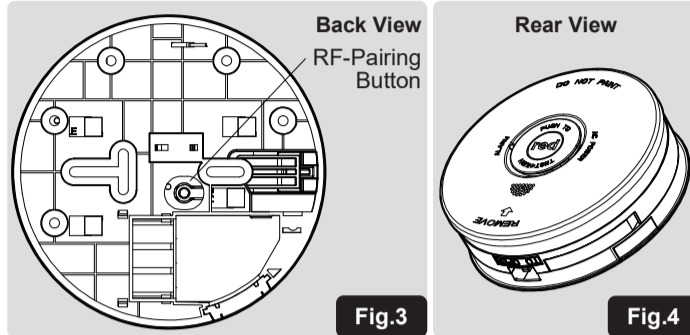
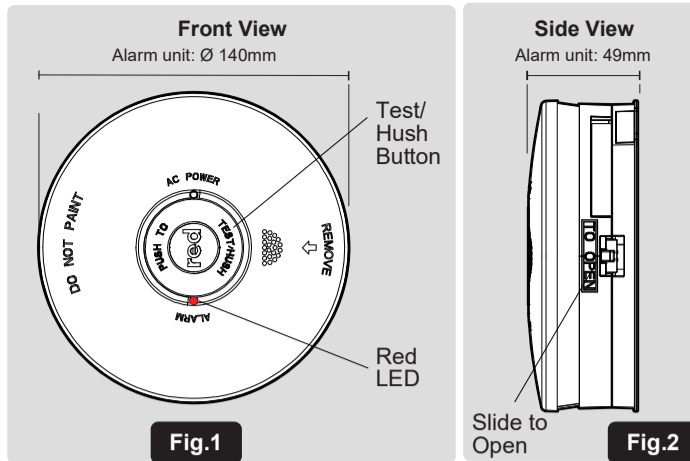
#### WIRING INSTRUCTIONS:

- This smoke alarm can be interconnected with other Red alarm devices including R240, R240RC, RSDUALP, RFMDUAL, RHA240SL. Connecting this smoke alarm to other brands or models may result in potential damage or create risks such as electric shock or fire hazards.
- Up to 40 smoke alarms can be interconnected. (wired: 20 alarms max, wireless: 20 alarms max)
- The supply terminal block of the alarm consists of four labeled terminals: Interconnect, N, E/LOOP, and A. It is essential to ensure proper wiring to ensure the alarm functions correctly. Incorrect wiring can lead to damage to the unit and will void the warranty. For guidance on the appropriate wiring, please refer to the provided wiring diagrams.
- The maximum length of wire used in interconnecting smoke alarms should not exceed 150 metres, and the spacing between interconnected smoke alarms must not exceed 30 meters per alarm. The minimum wire cross-section is 1.00mm<sup>2</sup>. Interconnected smoke alarms must be connected to the same final sub-circuit.
- Do not use any wire that may be confused with normal house wiring for the interconnect wire, interconnect cable on alarms must be SDI cable.
- Do not connect AC power wires to the Interconnect terminal, as this may damage smoke alarms.
- Do not connect the Interconnect wire to any device other than the Interconnect terminal of another Red alarm devices. Otherwise, the R240P will be damaged.
- Smoke alarms should be interconnected only within the confines of a single-family living unit. Interconnecting smoke alarms between different units may result in excessive nuisance alarms. Residents may not be aware that smoke alarms are being tested or that the alarm is a nuisance caused by cooking, etc.

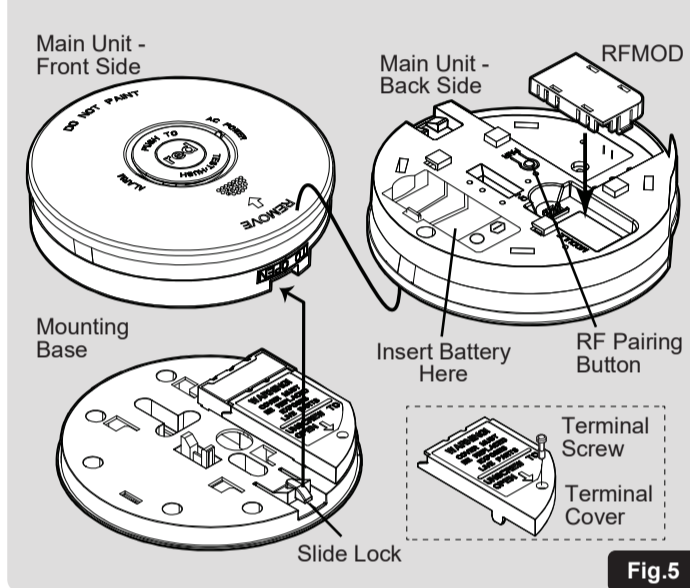
#### CAUTION - EQUIPMENT INSTALLATION HAZARD

- Red LED flashes very quickly (3 times per second) without sound. This means neutral connection is missing or wiring is incorrect.
- Please check wiring and connection of smoke alarms with flashing red LED and rectify wiring issue immediately.

## DIAGRAM



## Exploded View



- An optional RF Module (RFMOD) can be purchased separately if wired connection is not possible.
- Alternative Energy Sources - (Wind, Solar, UPS etc.) This product is designed to be connected to a Pure or True Sine Wave 230V, 50Hz AC supply.
- It should not be connected to a power source that utilises an inverter, e.g. PV solar panel, the Total Harmonic Distortion (THD).
- Light Dimmer Circuits - The alarm must not be powered from a light dimmer circuit.

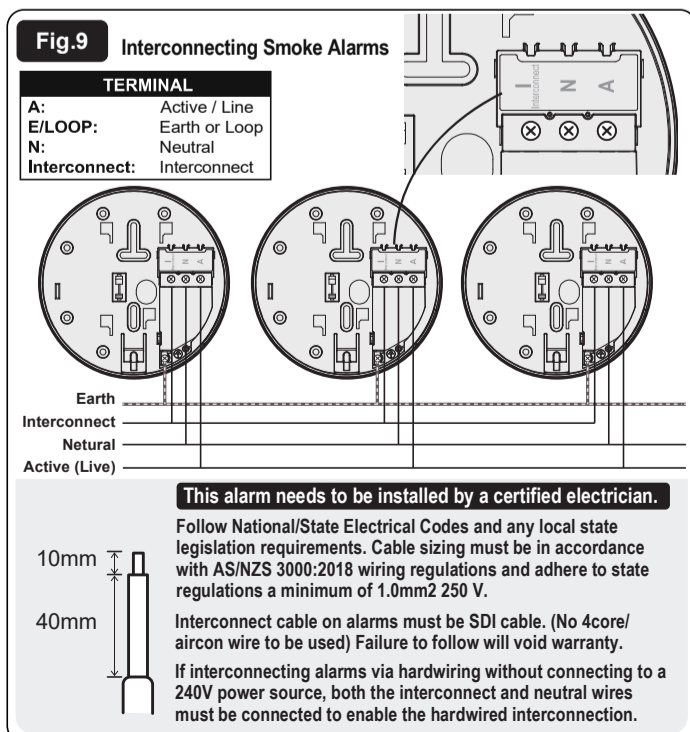
## MOUNTING INSTALLATION

Prior to mounting the smoke alarm, it is important to carefully review the following instructions. The smoke alarm comprises of two sub-assemblies: the mounting base assembly and the alarm unit. Red recommends setting aside the alarm unit, which is enclosed in a plastic dust cover, until the building commissioning phase. This phase typically includes tasks such as sanding, painting preparation, painting, and flooring.

**CAUTION: DO NOT USE IMPACT (ELECTRIC) DRIVERS FOR THE INSTALLATION OF THIS UNIT. FAILURE TO ADHERE MAY RESULT IN DAMAGE TO THE UNIT, CONSEQUENTLY VOIDING THE WARRANTY.**

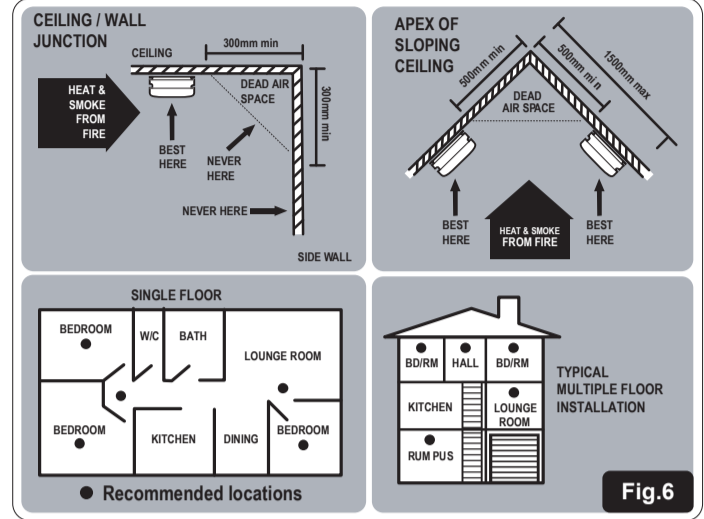
Please follow these steps to mount the smoke alarm:

1. Choose a compliant location on the ceiling for the smoke alarm.
  2. Detach the mounting base from the alarm unit.
  3. Strip the Active, Neutral, and Interconnect (if used) wires as per the strip length shown in Fig.9.
  4. Remove the terminal cover to access the terminals shown in Fig.7.
  5. Connect the wires to the appropriate terminals on the mounting base, as illustrated in Fig.9. Ensure that the screws are securely tightened.
- Note:** Never connect multiple R240P with RF Modules and hard wire interconnection together. Please note that the interconnect terminal of the R240P is solely intended for hard wire connection directly to other smoke alarms and/or heat alarms.
6. Reattach the terminal cover and secure it by tightening the terminal screw.
  7. Secure the mounting base to the ceiling by using the wall dog screws, as shown in Fig.11.
  8. Please note that the alarm unit should not be removed from the plastic dust cover.



## RECOMMENDED LOCATION OF ALARMS

- Install at least one alarm for each bedroom
- Install at least one alarm to protect any staircase
- Install at least one alarm on every floor level.
- Install an alarm in every room where a smoker sleeps as additional protection.
- Install an alarm in every room where electrical appliances are operated (i.e. portable heaters or humidifiers) as additional protection.
- Install an alarm in every room where someone sleeps with the door closed as additional protection. The closed door may prevent the alarm from waking the sleeper.
- When mounting an alarm on the ceiling install it at a minimum of 300mm from the side wall and 500mm max. from any corner (see diagram).
- When mounting an alarm on a wall, install it at a minimum of 300mm from the ceiling level but not more than 500mm from the ceiling level and any corner (see diagram)
- When mounting an alarm at the apex of a sloping ceiling it should be located a minimum of 500mm from the apex but should not exceed 1500mm (see diagram).



## AVOID THESE LOCATIONS

**Avoid installing the smoke alarm in the following locations:**

- Within one metre of heating or cooling supply vents, return air or fresh air vents, as smoke may be blown away by the supply vents or diverted into the return air vent, leading to improper alarms.
- In areas where the temperature may fall below 0°C or rise above 45°C, as smoke alarms are designed to operate safely only within these temperature ranges. Operating outside these limits may result in failure to alarm, improper alarms, or nuisance alarms.
- In damp or very humid areas, such as bathrooms with showers, where humidity levels may rise above 95%. Above this level, moisture may condense inside the smoke chamber, causing false alarms. Additionally, the smoke alarm may become unstable below 5% relative humidity.
- In areas where particles of combustion are present, such as garages or kitchens, as this can cause false alarms.
- In dusty or dirty areas where an installation cannot be relied on. An accumulation of dust and dirt in the sensing chamber may block the openings and prevent an alarm or cause false alarms. If a smoke alarm is required in such an area, vacuum it frequently and test it according to the "Testing" section.
- In the dead air space in the corner where the wall meets the ceiling. If unsure about the exact location of mounting, contact the local fire department for assistance in choosing a safe location.

## DUST COVER

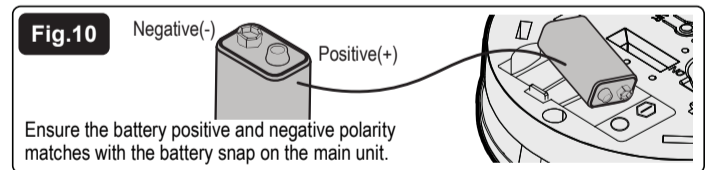
The smoke alarm is packaged in a plastic dust cover for the following reasons:

1. To safeguard the alarm unit from dust during the building construction phase.
  2. Red Smoke Alarms recommends keeping the alarm unit (in the dust cover) aside until the building commissioning phase to prevent it from getting dusty.
- During commissioning, remove the dust cover and attach the alarm unit to the flush mounting base assembly. After removing the dust cover, please store it away from infants and young children to prevent the risk of suffocation.

## ACTIVATE THE SMOKE ALARM

#### STEPS TO ACTIVATE THE SMOKE ALARM:

1. Remove the alarm unit from the dust cover.
2. Insert the RF module into the alarm unit for wireless interconnection (optional) as shown in Fig.5. **SEE SECTION - RF WIRELESS INTERCONNECTION FOR FURTHER DETAILS.**
3. Insert the battery into the designated battery spot. Ensure that the positive and negative polarity of the battery aligns with the battery snap on the alarm unit. **Note:** The smoke alarm will be activated once the battery snap has been connected. If the smoke alarm has abnormal chirps or beeping, check section "INDICATION AND ACTION"

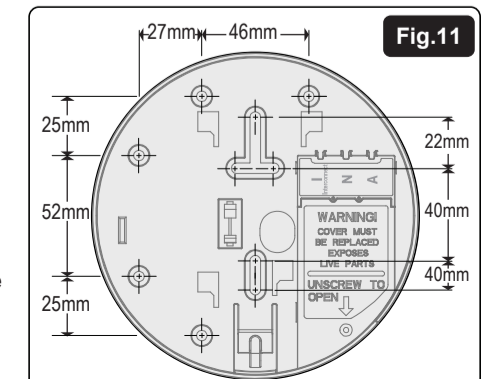


5. Align the "TO OPEN" mark on the mains unit with the Slide lock on the mounting base. (see Fig.5)
6. Slide and firmly push the alarm unit until it clicks into place on the mounting base.
7. Connect the mains power from the circuit and verify the functionality of the green and red LEDs. The green LED should illuminate to indicate the presence of main power. The red LED will flash approximately every 48 seconds to signify correct operation.
8. Press and hold the test button to initiate a smoke alarm test.

**Note:** After the Test/Hush button has been pressed, wait 10 minutes before any additional testing is conducted to avoid any abnormal responses as the smoke alarm is not sensitive to smoke during this period.

**Note:** If a nuisance alarm occurs and if there is no sign of smoke, heat or noise to suggest a fire you should get your family to a safe place before investigating. Check the household carefully in case there is a small fire smouldering out of sight, or if there is another source of smoke or fumes such as cooking fumes being drawn past a smoke alarm by an extractor.

**WARNING:** If you experience frequent nuisance alarms, consider moving the device away from the source of fumes. If the alarm persists in sounding nuisance alarms despite the absence of smoke, it may need maintenance or cleaning.

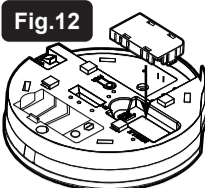




## RF WIRELESS INTERCONNECTION

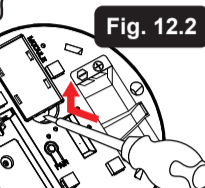
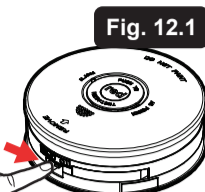
### INSTALL THE RF MODULE (RFMOD) INTO THE ALARM UNIT:

- Adjust the angle of the RF Module to be parallel with the alarm, ensuring the 3 alarm's pins align with RF Module and gently insert. Please refrain from applying excessive force to avoid damaging the RF Module.
- If the RF Module does not fit into the alarm immediately, readjust the angle of the RF Module and reinsert it.
- The alarm unit will have click sound to indicate the RF module has been installed into the alarm unit.



### REMOVE THE RF MODULE FROM THE ALARM UNIT:

- Detach the alarm unit from the mounting base, press the slide lock located at the arrow points, and then slide the alarm unit out from the mounting base. See fig.12.1.
- Hold the alarm unit firmly and use an insulated screwdriver to unclick the head of the RF Module, thereby removing the RF module from the alarm unit. See Fig.12.2.



### RF WIRELESS PAIRING INSTRUCTION

#### PAIRING OPTIONS

- R240P as Master Pairing Mode
  - Press and hold the RF Pairing button for at least 5 seconds until the alarms RED LED turns solid.
- R240P as Slave to connect to a Master
  - Press the RF Pairing button 2 times quickly, Alarm red LED will flash for 5 times to indicate successful connection.

#### Pair all alarms before installation on ceiling/wall

- Select one of the alarms as the MASTER. Treat all other alarms as SLAVE units.
- On the rear side of MASTER alarm head, press and hold the RF pairing button for at least 5 seconds until RED LED on front illuminates.
- The unit is now in self-learn pairing mode indicated by the LED on the front of alarm remaining on for a 2.5 minutes.

- Note:** To exit self-learn pairing mode, press the RF pairing button once. The RED LED will turn off.
- While the MASTER unit's RED LED is on, take the next slave alarm and press the RF pairing button 2 times. The SLAVE alarm LED will flash 5 times indicating successful interconnection.

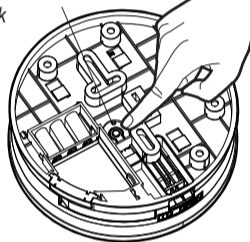
- Note:** If the SLAVE units do not flash their LED 5 times, the wireless interconnection has not paired yet, in this case, check that the alarm is 'ON' with the mounting base properly engaged and that the master is still in self pairing mode, you will only need to pair slave units that were not paired previously.

- Repeat step 4 on all other SLAVE alarms within 2.5 minutes. Repeat step 3 if required.

- After pairing all units, press and hold MASTER alarm's Test/Hush button for up to 30 seconds to check that all interconnected units receive the RF signal and alarms sound.

- Once all alarms are paired, detach the mounting base with the alarm unit. Complete installation to ceiling/wall. **Note:** Always use the existing alarm in the RF network as the Master device, and any new additional devices as Slave units.

#### RF-PAIRING BUTTON



#### Clear Pairing Memory

- Press the RF pairing button 5 times, the red LED on the alarm will flash 10 times to clear the alarm's pairing memory, removing it from the network.

For more help, visit [www.redsmokealarms.com.au](http://www.redsmokealarms.com.au)

## OPERATION

This smoke alarm has a built-in feature to detect the power source.

**WARNING:** You must insert a battery first. Otherwise, the main unit design will not allow it to slide into the mounting base. Forcing the main unit without the battery to slide into the mounting base will damage the main unit.

Once A (Active) connection is present, 220-240V mains-powered smoke alarm is activated. In this case, the battery acts as a backup power from installation. See Fig. 5 and Fig.10 for instructions on activating the smoke alarm.

If the A (Active) connection is not present and the alarm is activated, it relies solely on battery power. This condition is fit for doing the RF pairing for new house installation. Keeping the unit power solely on battery will drain the battery power. The battery, under normal conditions, lasts only for 1-3 months. The Active connection should be established as soon as possible for a complete new house installation.

## TESTING

### TESTING

- Before testing, please ensure that the smoke alarm has been activated.
  - Testing the smoke alarm weekly and replacing it every 10 years is crucial.
- To perform the test, press and hold the "HUSH/TEST" button. This will activate the alarm, indicating that the electronic circuitry and siren are functioning correctly.
    - Note:** If the alarm does not sound during the test, please check the battery or AC power supply and ensure that the smoke alarm is connected to a continuous final sub-circuit.
    - Note:** At the same time, any alarm that is RF paired to the RF network or hardwire interconnected to the smoke alarm will also be triggered within 30 seconds.
  - To deactivate the smoke alarm from the test mode, release the RF Pairing button.
    - Note:** Continuous chirping, erratic noise, or a low sound from the alarm may indicate a defective alarm. In such cases, please return the unit to the place of purchase.

**WARNING:** Never use an open flame of any type to test your alarm.

**WARNING:** Do not apply excessive force on the "HUSH/TEST" button this may damage the smoke alarm and may void the warranty.

Activation / Deactivation	Smoke Alarm Indication:
Activate test mode: hold the test button	Red LED will flash and chirp rapidly in sync
Deactivate the test mode: release the test button	Red LED and chirping will cease

### Featured LED and Alarm Signal

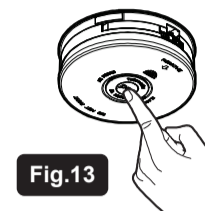
- 85dB Red** **Fire Alarm**  
The smoke alarm will sound a loud alarm (85 dB) and the red LED will flash rapidly. This will continue until the air is cleared.
- Red Every 48 sec** **Standby**  
The red LED flashes once every 48 seconds to indicate the smoke alarm and battery are functioning correctly.
- Red Every 4 sec** **Memory Function**  
If one of the alarm indicators (RED LED) is flashing every 4 seconds, it indicates that a smoke alarm has previously been activated.
- 85dB Red Every 48 sec** **Low Battery**  
The smoke alarm indicates a low battery by flashing the red LED once and emitting a chirp every 48 seconds.
- Green LED** **Green LED**  
The green LED is illuminated when the mains power (220-240V) is on. If the smoke alarm is powered only by battery. The Green LED will not illuminate.

## HUSH OR SILENCE FUNCTION

This smoke alarm has a built-in Hush or Silence feature incorporated into the Test/Hush button. If cooking or other non-hazardous sources cause the alarm to sound, it can be temporarily Hush by depressing the Test/Hush button for 1 second. The alarm will then enter a dormant period for 10 minutes. After the 10 minute dormant period, the smoke alarm will resume normal operation. **Note:** After the Test/Hush button has been pressed, wait 10 minutes before any additional testing is conducted to avoid any abnormal responses as the smoke alarm is not sensitive to smoke during this period. See Fig.12 for details.

This smoke alarm has a self-diagnosis. If the smoke alarm detects the battery is low and/or an internal fault, it will chirp. This alarm could be temporarily silenced by holding the Test/Hush button for 1 second. The alarm will not chirp for 10 hours but the LED will remain functioning. It is recommended to replace the battery as soon as possible after this period of time.

**Note:** Silence will not affect the basic fire warning functions of a smoke alarm. During the silenced period, if the smoke alarm detects any smoke, it will still operate fire warning (Rapid flashing red LED and chirping). See Fig.13 for details.



- False alarm (Nuisance Alarm)** → **HUSH 10 Minutes**
- Low Battery and/or Fault Alarm** → **SILENCE 10 Hours**

## PLANNING

Developing and implementing an escape plan is crucial for ensuring the safety of your household in the event of a fire. To do so, it is recommended that you follow the steps outlined below:

- Create a floor plan that identifies all doors and windows, as well as at least two escape routes from each room. Note that for second-storey houses, rope or chain ladders may be necessary.
- Hold a family meeting to discuss and review your escape plan, ensuring that each member understands what to do in case of a fire.
- Designate a predetermined location outside of your home where all family members can meet in the event of a fire.
- Ensure that everyone is familiar with the sound of the smoke alarm and conduct regular practice drills of leaving the home when it goes off.
- Conduct fire drills at least every six months, including night-time drills.
- Practicing your escape plan allows you to test its effectiveness before an actual emergency. It is crucial that every member of the household is aware of the plan, as they may need to act quickly and independently in the event of an emergency.

## IN CASE OF FIRE

Developing and practicing a plan of escape is essential for ensuring the safety of your household in the event of a fire. When the smoke alarm sounds, it is crucial that you follow the steps outlined below:

- Leave the building immediately using your pre-determined plan of escape. Time is of the essence, so do not waste time getting dressed or retrieving valuables.
  - When exiting, do not open any internal doors without first feeling the surface. If the door is hot or smoke is seeping through cracks, do not open it. Instead, use your alternative exit. If the door is cool, place your shoulder against it, open it slightly, and be prepared to shut it quickly if heat or smoke rush in.
  - Stay close to the floor if the air is smoky and breathe shallowly through a wet cloth if possible.
  - Once outside, proceed to your designated meeting place and ensure that all family members are present.
  - Call the Fire Brigade from a neighbour's home, not from your own.
  - Do not re-enter your home until officials confirm that it is safe to do so.
- For additional information on fire safety, please contact your local Fire Brigade.

## MAINTENANCE, REPAIRS, AND SERVICE

When it comes to maintaining, repairing, and servicing your smoke alarm, it is important to follow proper guidelines. Please refer to the information below:

#### Maintenance:

To ensure optimal performance, it is recommended that the smoke alarm be inspected monthly to check for dirt, dust, and insects. The alarm can be vacuumed or brushed with a soft brush to remove accumulated dust, dirt, or kitchen grease. Additionally, applying a small amount of surface spray to a cloth and wiping around and over the alarm which will should deter insect ingress. After cleaning, always test the smoke alarm to ensure that it is functioning correctly.

#### Repairs / Service:

In the event that the smoke alarm is defective, refrain from tampering with the unit. The unit does not contain any user-serviceable parts. Seek professional assistance for repairs or servicing.

## LIMITATION OF SMOKE ALARMS

- When discussing the limitations of smoke alarms, it's important to keep the following points in mind:
- Smoke alarms can only detect smoke if it reaches the device. This means that fires that start in areas far away from the alarm, such as chimneys, walls, roofs, or another floor of the building, may not be detected.
- If the smoke alarm is located outside of the bedrooms or on a different floor, it may not be able to wake up individuals who are sound sleepers. For this reason, it is recommended that a smoke alarm be installed in each bedroom to provide additional protection.
- While smoke alarms can provide early warning of a fire and help save lives, they should not be considered as an alternative to an insurance policy.
- Standard smoke alarms will not alert individuals who are hearing impaired. Special purpose devices such as the Red Strobe Light and Vibrating Pad for Hearing Impaired should be used in these cases to ensure that everyone in the building is alerted in the event of a fire.
- By keeping these limitations in mind, individuals can take steps to maximize the effectiveness of their smoke alarms and ensure that they are taking all necessary precautions to protect themselves and their property from the dangers of fire.

## INDICATION AND ACTION

**If you observe any indication from the smoke alarm and are uncertain about its condition, please refer to the table below for the "LED Indicator" and "Siren" of your smoke alarm. The table will help you determine the current status of the alarm and the appropriate action to be taken.**

**If you require further assistance, we recommend reaching out to our technical support for inquiries. You can find the contact details in this manual.**

STATUS	LED INDICATOR	SIREN	ACTION NEEDED
Standby Mode (Powered by Battery only)	Green LED not illuminated Red LED 1 flash every 48 seconds	None	Smoke alarm in standby condition, powered by backup battery power. Connect the alarm with Live power to complete the installation.
Standby Mode (240V AC mains powered)	Green LED illuminated Red LED 1 flash every 48 seconds	None	Smoke alarm in standby condition, powered by 240V AC mains and backup battery. No action required.
Fire Alarm Mode	Red LED flashing rapidly until smoke is clear	chirping rapidly until smoke is clear	Smoke Alarm detects fire. See Section - "In case of fire"
Test Mode	Red LED flashing rapidly (flash pattern sync with the siren)	chirping rapidly (Chirp pattern sync with the Red LED)	Activate the test mode by holding the test button.  Deactivated when the test button is released. See Section - "TESTING"
Low Battery Warning	Red LED 1 flashes every 48 seconds	1 short chirp every 48 seconds (Chirp pattern sync with the Red LED)	The battery is low. Check Section - "Battery" for further instruction.
Memory Function	Red LED 1 flashes every 4 seconds, lasting 72 hours	None	This indication will last for 72 hours. Then, it will automatically resume to standby mode. No action required.
Unit Fault	Red LED 2 short flashes every 48 seconds	2 short chirps every 48 seconds (Chirp pattern sync with the Red LED)	The alarm unit is faulty. Check Section - "Maintenance, Repairs, and Service" for further instruction.

## WARRANTY

**WARNING: DO NOT ATTEMPT TO OPEN THE HOUSING.**

Red Smoke Alarms warrants the R240P to be free from defects in materials and workmanship under normal use and service for a period of ten years from manufacture date. The company will not be obligated to repair or replace parts which are found to be in need of repair because of misuse, damage or alterations that occur after the date of purchase. Return the R240P smoke alarm with proof of purchase to your local distributor. The liability of the company arising from the sale of this R240P Smoke Alarm shall not in any case exceed the cost of replacement and in no case shall the company be liable for consequential loss or damages resulting from the failure of the R240P Smoke Alarm.

RED SMOKE ALARMS PTY. SHALL HAVE NO LIABILITY FOR ANY PERSONAL INJURY OR PROPERTY DAMAGE, OR ANY SPECIAL INCIDENTAL, CONTINGENT OR CONSEQUENTIAL DAMAGE OF ANY KIND RESULTING FROM A FIRE. THE EXCLUSIVE REMEDY FOR BREACH OF THE LIMITED WARRANTY CONTAINED HEREIN IS THE REPAIR OR REPLACEMENT OF THE DEFECTIVE PRODUCT AT RED SMOKE ALARMS PTY. LTD. OPTION. IN NO CASE SHALL RED SMOKE ALARMS PTY. LTD.'S LIABILITY UNDER ANY OTHER REMEDY PRESCRIBED BY LAW EXCEED THE PURCHASE PRICE. YOUR R240P SMOKE ALARM IS NOT A SUBSTITUTE FOR PROPERTY, DISABILITY, LIFE OR OTHER INSURANCE OF ANY KIND. APPROPRIATE COVERAGE IS YOUR RESPONSIBILITY. CONSULT YOUR INSURANCE AGENT.

This does not affect your statutory rights.

This device is only suitable for single occupancy private dwellings only and not intended for multi occupancy private dwellings or commercial or industrial dwellings.

Waste electrical products should not be disposed of with normal household waste. Please recycle where facilities exist. Check with your Local Authority or retailer for recycling advice. New regulation will encourage the recycling of Waste from Electrical and Electronic Equipment (European "WEEE Directive" effective August 2005).

Red Smoke Alarms PTY. LTD. reserves the right to change specifications, modify designs and discontinue items without incurring obligation and whilst every effort is made to ensure that descriptions, specifications and other information in this catalogue are correct, no warranty is given in respect of these of and the company shall not be liable for any error therein.

© Red Smoke Alarms 2024

This material copyright under Australian and international laws. Except as permitted under the relevant law, no part of this work may be reproduced by any process without prior written permission of and acknowledgment to Red Smoke Alarm PTY. LTD..

E&OE  
V 1.0

#### Contact Details

**RED SMOKE ALARMS PTY. LTD.**  
35 Hitech Drive, Kunda Park QLD 4556  
[service@redsmokealarms.com.au](mailto:service@redsmokealarms.com.au)  
[www.redsmokealarms.com.au](http://www.redsmokealarms.com.au)  
1300 316 552

**red SMOKE ALARMS**

