

ROBUS®

EN

VEGAS 12W/M, 24V, 60LED/M, LED STRIP LIGHT, IP67, 10M

RVA12RGBW6710-30 : RGB + White 3000K

RVA12RGBW6710-40 : RGB + White 4000K

PLEASE READ INSTRUCTION BEFORE COMMENCING INSTALLATION AND RETAIN FOR FUTURE REFERENCES.

! Electrical products can cause death or injury, or damage to property. If in any doubt about the installation or use of this product, consult a competent electrician
Note:

Product technical information and specification may change over time without prior notification. For the latest technical information please visit our web site www.robus.com.au

-20°C < Ta < +40°C, DC 24V, Class III, IP67
Suitable for mounting on a normally flammable surface.

Installation

- 1 Ensure mains supply is switched off before commencing work.
- 2 If necessary cut LED strip to the required length at the locations marked on the strip (Every 6 LED's). Apply the glue to end-cap and push it onto the end of strip. (See cutting and joining instruction diagram) Note: This strip is IP67 rated. When cut or joined the IP rating cannot be guaranteed
- 3 Mounting the Strip:
 - a. Self adhesive strip: Remove the protective film to reveal adhesive strip. Place the strip onto the desired location and press down firmly. Ensure the strip is secure.
 - b. Clips: Place the strip along the desired position. Mark the locations where the clips are required, keeping them equally spaced. Fix clips to surface using screws. Check that the screws will not impinge on concealed cables or pipes.
- 4 The "start connector" is used to connect power to or join the LED strip. It is marked with "+" black, red, green, blue and white wires, which will correspond with "+, R, G, B and W on the LED strip. Connect connector to strip. (See cutting and joining IM). (Note that when the wire connector is used to connect to RGB+W-AMP or extending the strip the connection sequence will be reversed on the next connection).
- 5 Please see installation diagram and choose the most suitable installation method.
Note: When connected in series it is not possible to extend the strip to lengths longer than 5m. However, strips may be connected in parallel up to the max rating of the power supply used.
- 6 Connect the strips to the driver (choose the correct driver based on the length of the strip).
If required please use IP box for the connection.

Accessories: RVA67RGBW-CONNPN

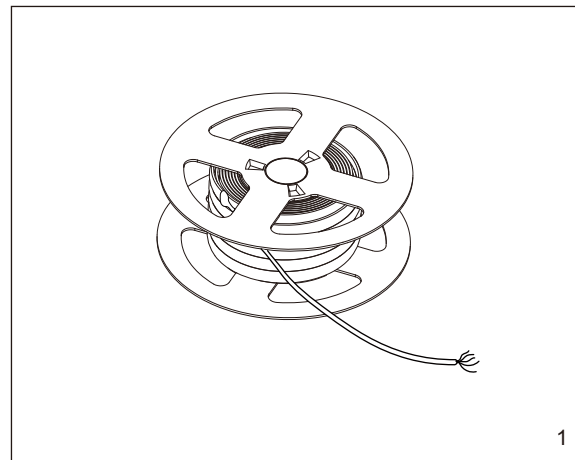
The Installation must be carried out by a qualified electrician

LED Group Australasia
9/210 Queensport Road North
Murarrie
QLD 4172
Australia

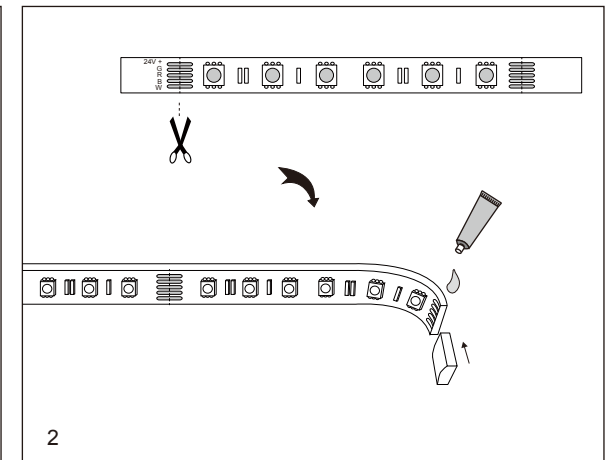
Tel: 07 3890 5444
Fax: 07 3890 4777
Email: purchases@robus.com
Website: www.robus.com.au

LED Group
Crowe Hogwarth
72 Trafalgar Square
NELSON 7010
New Zealand

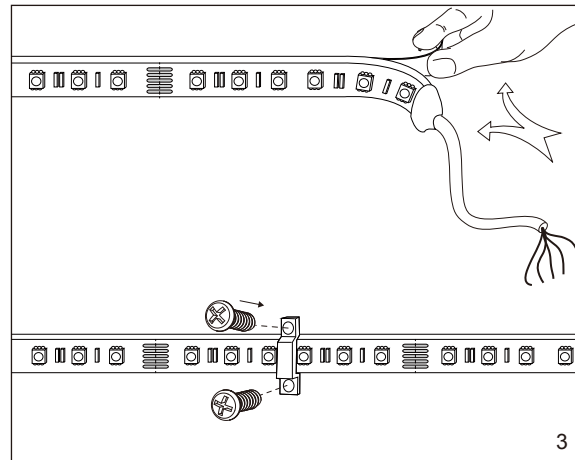
Tel: +64 0508 533 335
Email: nz_purchases@robus.com
Website: www.robusled.co.nz



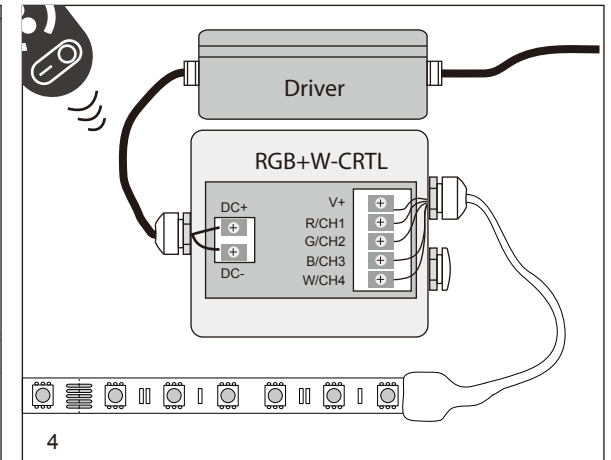
1



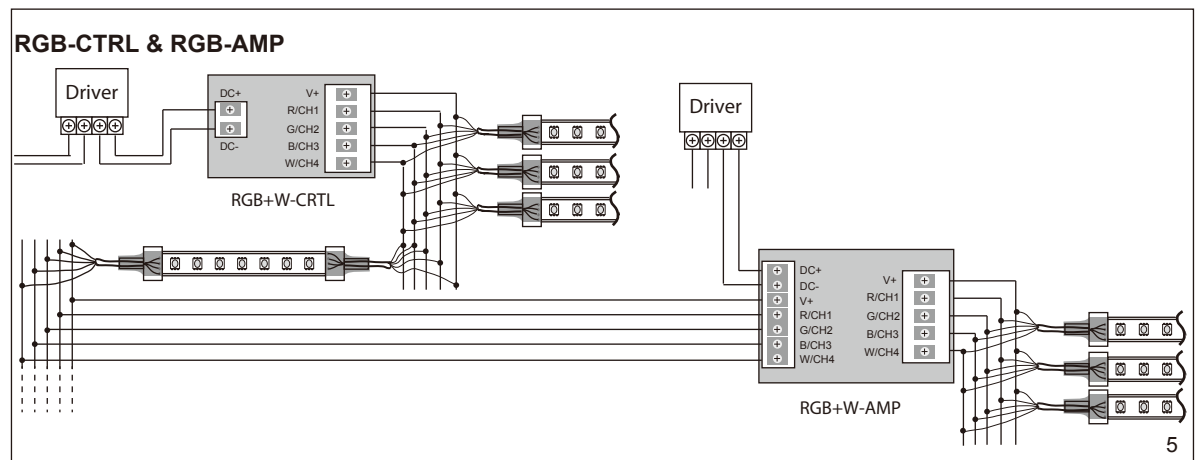
2



3



4



5