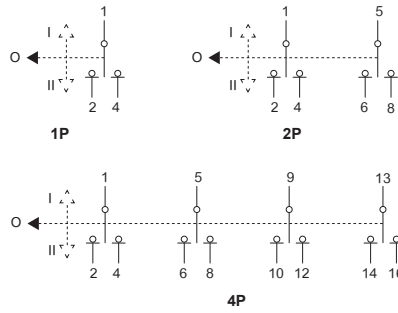
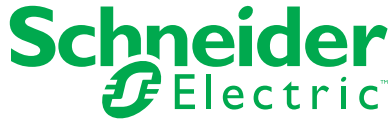




Changeover Switch (COS)
Electrical standard: AS/NZS 60947.3



Please Note

- The installation, maintenance and eventual replacement of this device must only be carried out by a qualified electrician.
- All applicable local, regional and national regulations must be complied with during the installation, use, maintenance and replacement of this device.
- This device should not be installed if, when unpacking it, you observe that it is damaged.
- Schneider Electric cannot be held responsible in the event of noncompliance with the instructions in this document and in the documents to which it refers.
- The service instruction must be observed throughout the life time of this device.
- This device must not be repaired.

⚡ ⚠ DANGER

HAZARD OF ELECTRIC SHOCK, EXPLOSION OR ARC FLASH

- Turn off all power supplying this product before working on it.
- Use a voltage tester with a suitable rated voltage in order to check that all active conductors are not energized.

Failure to follow these instructions will result in death or serious injury.

⚠ WARNING

HAZARD OF CLOSING ON ELECTRICAL FAULT

Do not close the device without first inspecting and, if necessary, repairing the downstream electrical equipment.

Failure to follow these instructions can result in death, serious injury, or equipment damage.

⚠ WARNING

HAZARD OF FIRE

- Install the short-circuit protection device in series to Changeover Switch in upstream for protection.
- Use only specified wiring cross-section with the equipment and comply with the specified wiring requirements.
- Tighten the connections to the specified torque values.

Failure to follow these instructions can result in death, serious injury, or equipment damage.



Danger



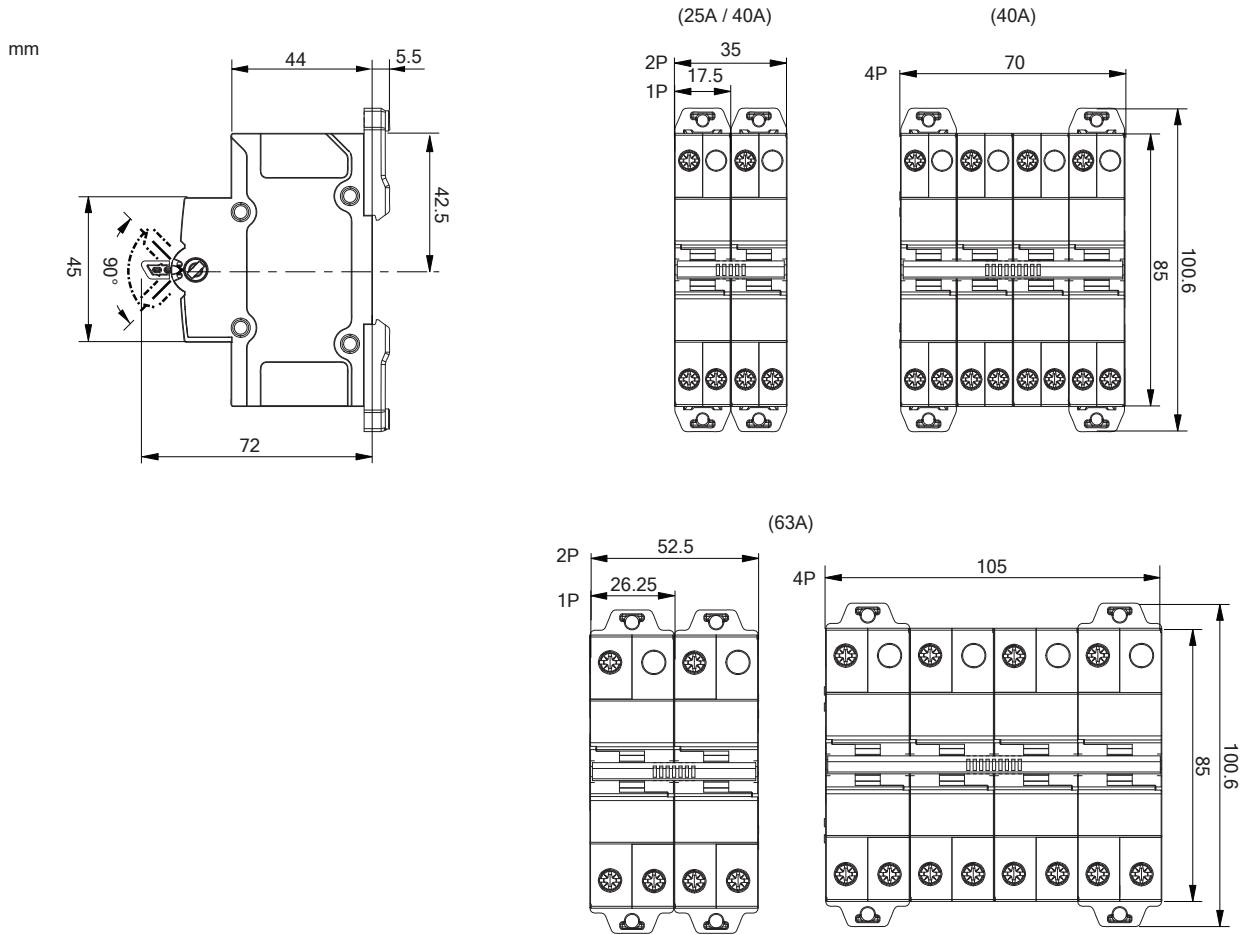
Installation by electricians only



Disconnect before carrying out the installation

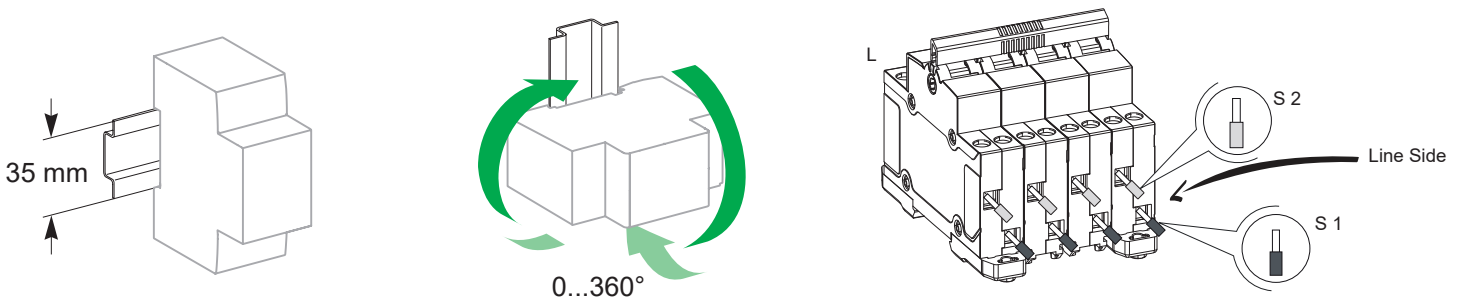
1

Dimensions



2

Installation

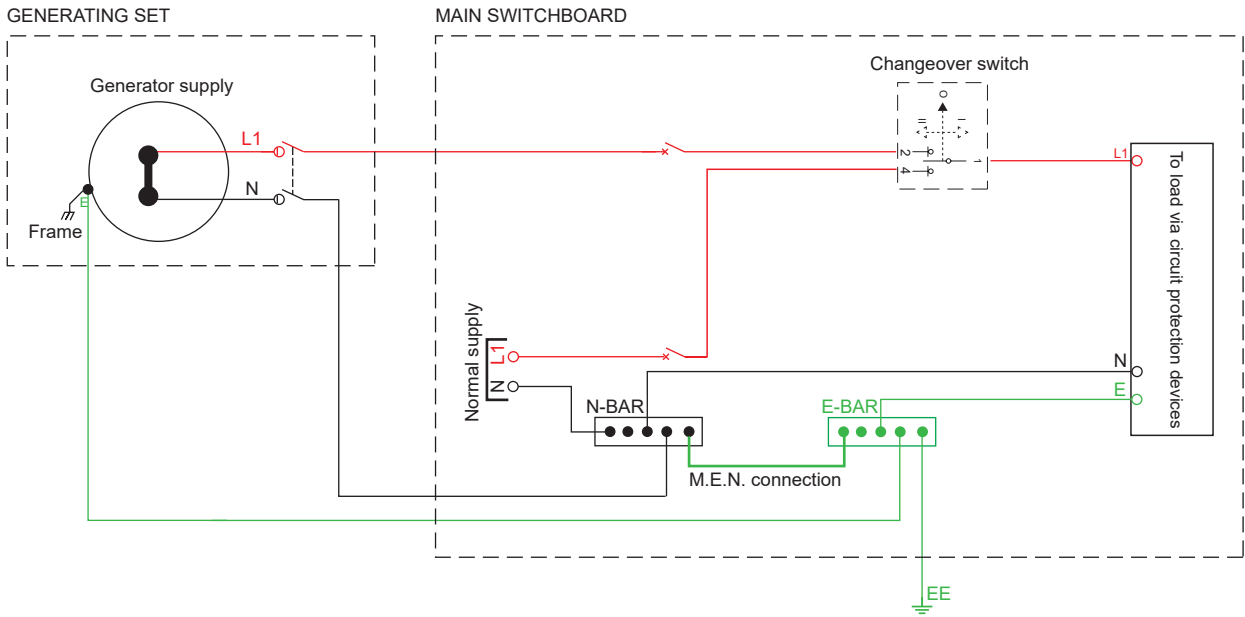


3

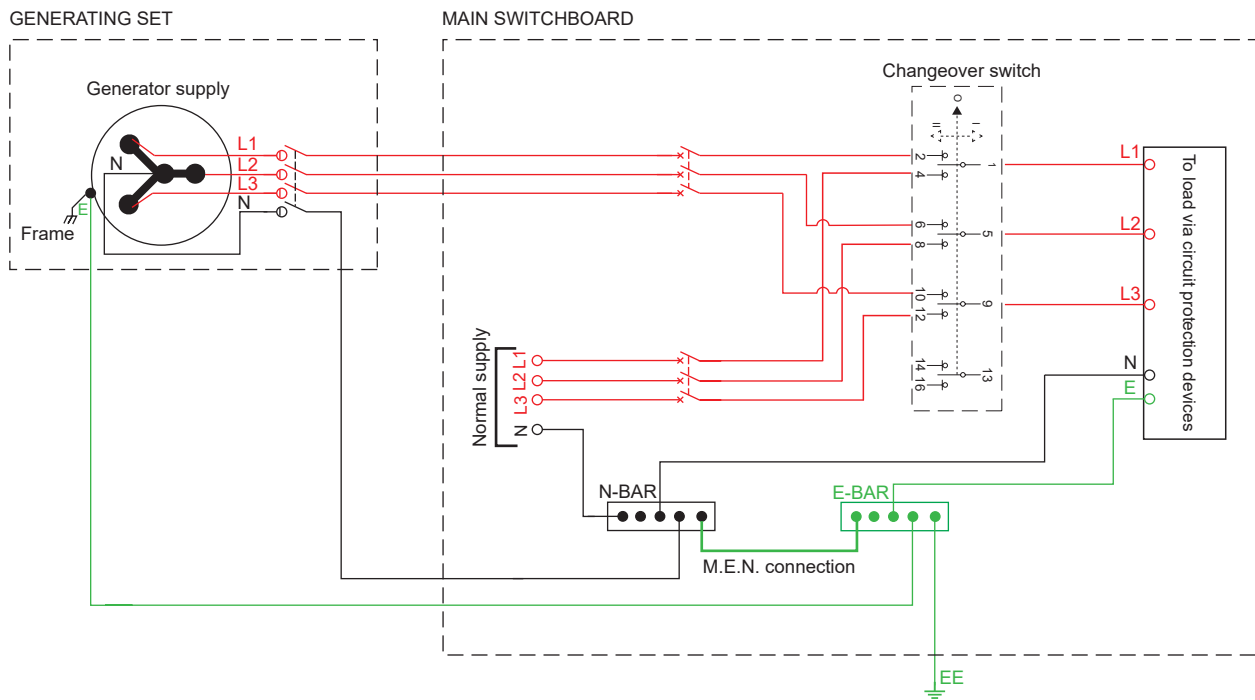
Connection

Acti9 COS	25 A / 40 A	12 mm	12 mm	1...16mm ²	1...10 mm ²	2.5 N.m	5.5 mm PZ2
	63 A	12 mm	12 mm	1...25 mm ²	1...16 mm ²	4 N.m	6.5 mm PZ2

Single Phase Alternate Supply Permanent Connection



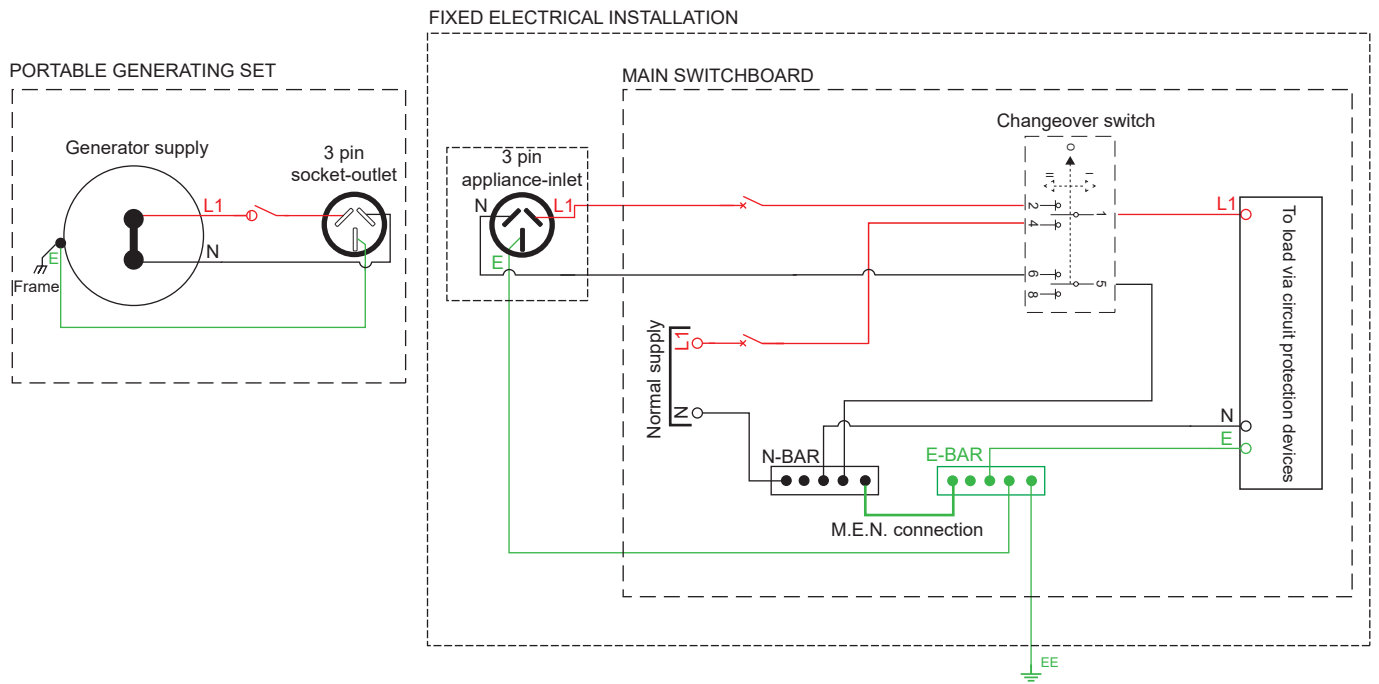
Three Phase Alternate Supply Permanent Connection



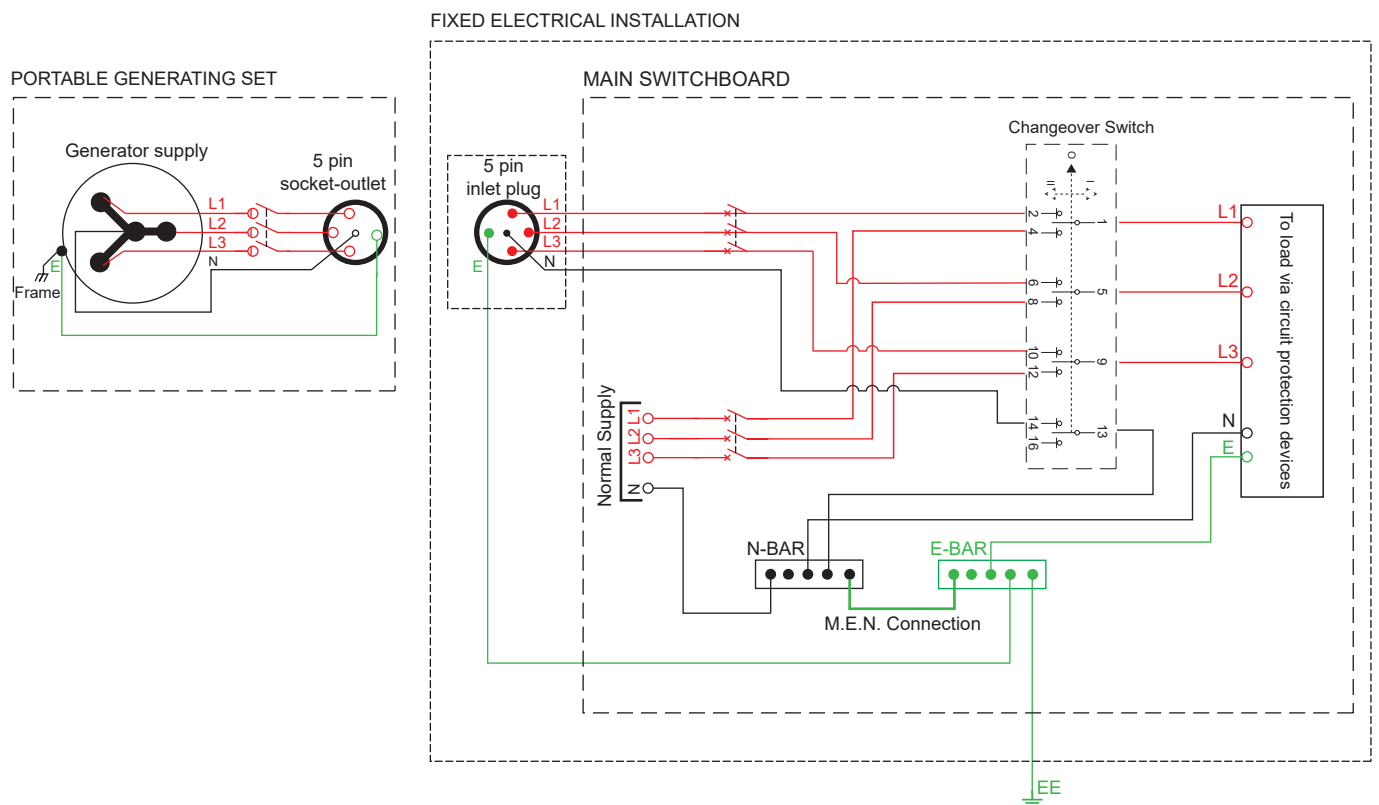
Note:

- These installation circuit diagrams come from AS/NZS 3010:2017 Electrical installations Generating sets & are enforced by AS/NZS 3000:2018 Electrical installations "Wiring Rules"
- Refer to AS/NZS 3000 & AS/NZS 3010 for your specific application
- When a four pole/four pole changeover device is used in a main switchboard, the normal supply neutral conductor shall not be switched prior to MEN link
- A four pole/four pole changeover device may be used to connect a generating set at a switchboard without a MEN link fitted (distribution board)

Single Phase Alternate Supply Connected via Plug & Socket



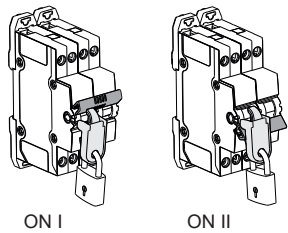
Three Phase Alternate Supply Connected via Plug & Socket



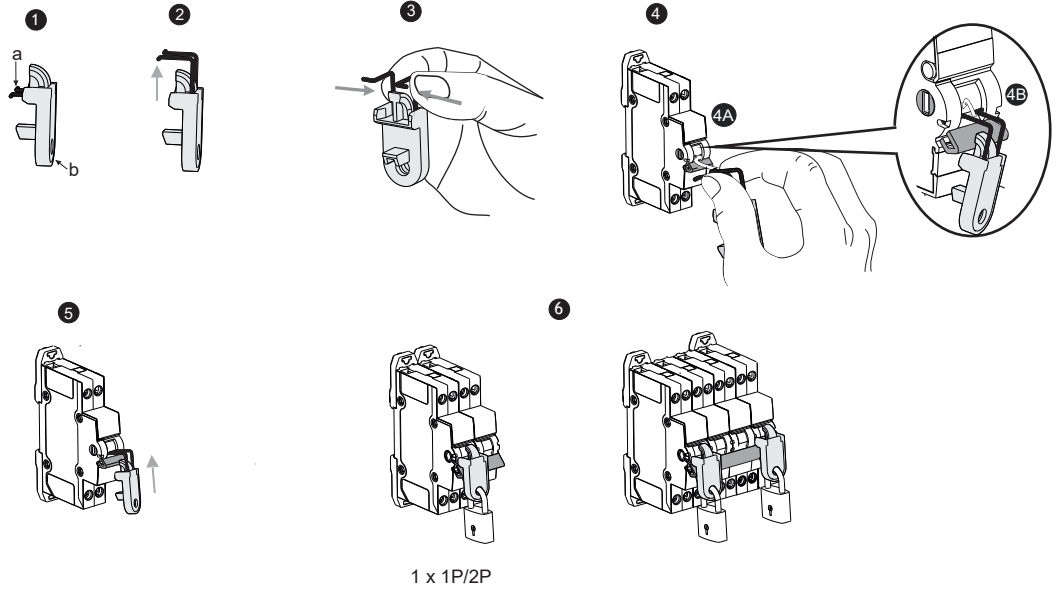
Note:

- These installation circuit diagrams come from AS/NZS 3010:2017 Electrical installations Generating sets & are enforced by AS/NZS 3000:2018 Electrical installations "Wiring Rules"
- Refer to AS/NZS 3000 & AS/NZS 3010 for your specific application
- When a four pole/four pole changeover device is used in a main switchboard, the normal supply neutral conductor shall not be switched prior to MEN link
- A four pole/four pole changeover device may be used to connect a generating set at a switchboard without a MEN link fitted (distribution board)

5 Padlock Insertion (ON I and ON II)



	COS
A9ASCOPL1	25A / 40A
A9ASCOPL2	63A



Schneider Electric (Australia) Pty Limited
33-37 Port Wakefield Road
Gepps Cross
South Australia 5094

Customer Care Centre
Tel: 13 73 28
Email: customercare.au@se.com
www.se.com