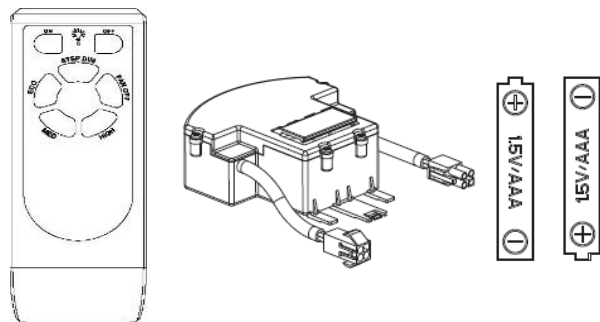


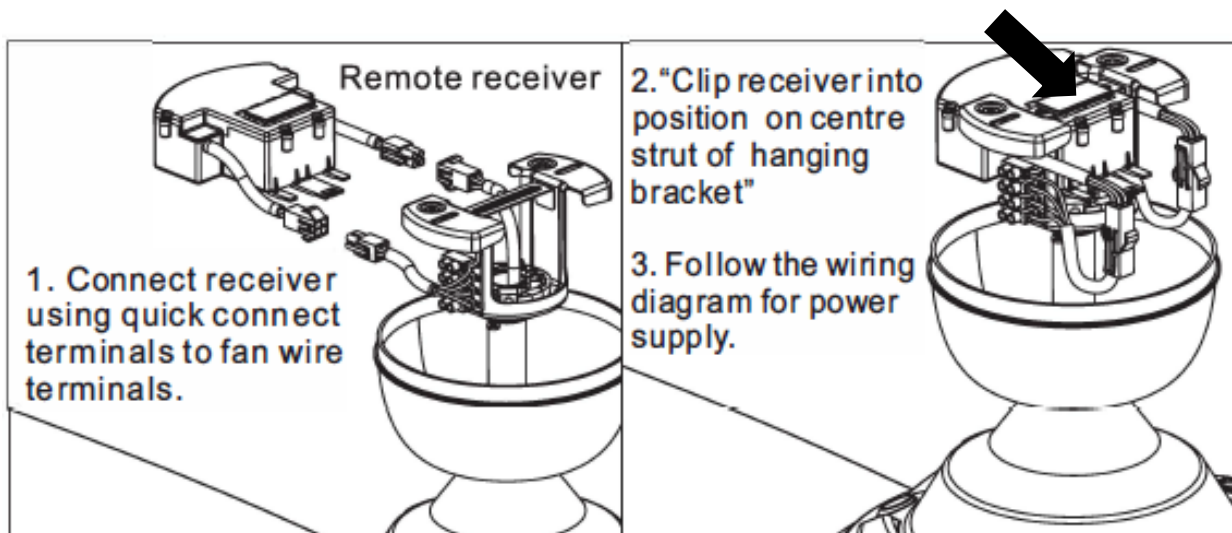
MODEL: SPNRFR

CONTENTS

- 1x REMOTE HANDPIECE WITH CRADLE
- 1x REMOTE RECEIVER
- 2x AAA BATTERIES

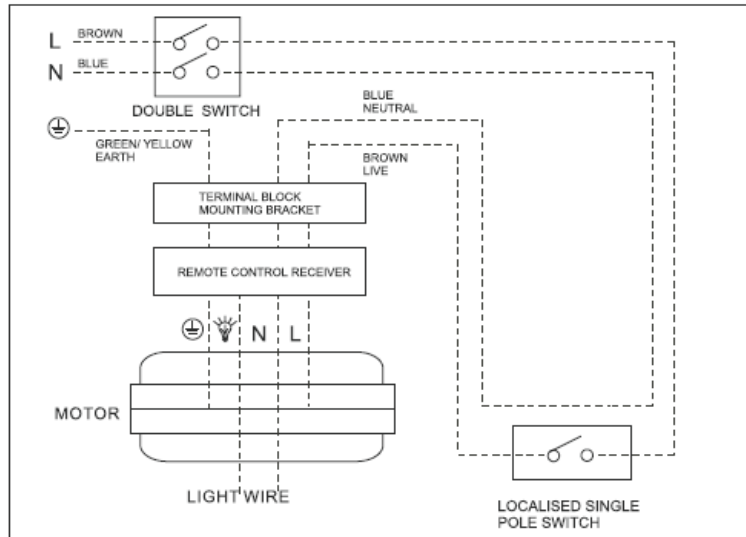


ATTACHING REMOTE RECEIVER



WARNING: FOR YOUR SAFETY, ENSURE THE MAINS SUPPLY IS SWITCHED OFF TO THE WIRING CIRCUIT BEFORE PERFORMING ANY ELECTRICAL TASKS.

WIRING DIAGRAM FOR ISOLATION SWITCH WITH REMOTE CONTROL



Step 1: Connect the EARTH wire to the terminal port marked "⊕" on the terminal block mounting bracket.

Step 2: Connect the supply LIVE wire to the wall controller terminal port labelled "TO 240V/50HZ".

Step 3: Connect a wire from the Fan Live "L" from the terminal block mounting bracket, to the terminal port labelled "FOR FAN-L" on the wall controller.

Step 4: Connect a wire from the Light Live  from the terminal mounting bracket, to the terminal port labelled "FOR LIGHT-L" on the wall controller.

NOTE: The fan light wiring is only applicable to fan models with a light.

Step 5: Connect the supply Neutral wire to the terminal port marked "N" on the terminal block mounting bracket.

Once all the above steps have been followed, you are now ready to restore the mains power supply. Make sure there is nobody near or under the fan, then turn ON the isolation switch to begin operation.

USING YOUR REMOTE HANDPIECE

Step 1: Turn "ON" isolation switch.

NOTE: For models "with light", light will default to "ON" at 100% output.

Step 2: Use Eco/Med/High buttons to alter the fan speed.

WITH LIGHT MODELS

Step 3: Press Light "ON/OFF" for light.

Step 4: Press the "STEP DIM" button to transition through 75%, 50%, 25% then back to 100% of light output.

(The units come factory paired, but if you wish to pair a remote handpiece to multiple fans, see below)

Step 1: Turn "OFF" isolation switch.

Step 2: Turn "ON" isolation switch and within 10 seconds, press LIGHT "ON" button for 3-4 seconds until a "Tick-Tack" sound is heard. (Repeat steps above if not successful).