



100 Years of Gerard Electrical Tradition

SCORPION 

Scorpion LED Floodlights

Slim, Lightweight and easy to install.



Order Code
SCFL50F

Order Code
SCFL30F

Order Code
SCFL20F

Order Code
SCFL10F



MOUNTING BRACKET
NOW AVAILABLE
SCFLMBA



Available through your Electrical Wholesaler

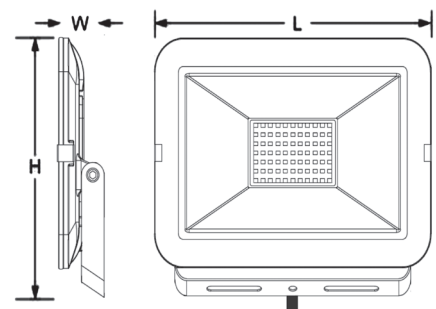
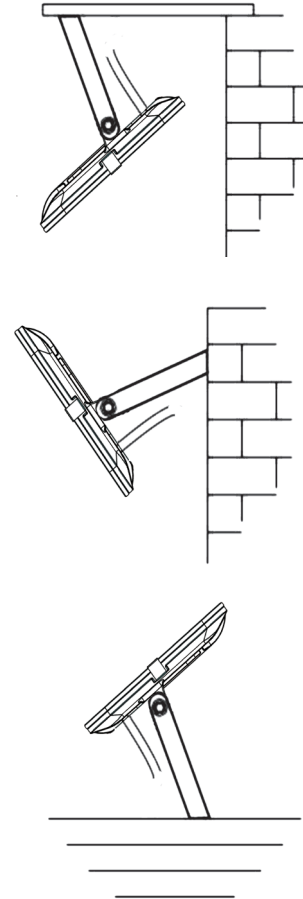


SCORPION™

The Scorpion - LED Floodlights are launched and ready for use by Australian Electrical Contractors.

- Engineered to ensure maximum performance in a light weight and ultra thin profile
- Available in four key wattages - 10W, 20W, 30W, 50W
- Easy to install with angled bracket - SCFLMBA
- Suitable for a wide range of exterior lighting applications

Typical Mounting Options



Product Specification

Part Code	SCFL10F	SCFL20F	SCFL30F	SCFL50F
Luman Output	900lm	1800lm	2700lm	4500lm
Power	10W	20W	30W	50W
Weight	0.353kg	0.572kg	0.810kg	1.100kg
Voltage	220 - 240V ~ 50Hz			
Colour Temp	400K			
IP Rating	IP65			
LED Lamp Life (L70)	20,000Hrs			
Beam Angle	100°			
CRI	>70			
Cable Length	900mm			
Operating Temp	-10°C to 40°C ta. 40°C			
Electrical Class	Class I			
Dimensions L x W x H (mm) (refer to diagram)	10W	20W	30W	50W
	120 x 27 x 88	163 x 29 x 118	195 x 30 x 142	235 x 36 x 163

Mounting Bracket for Scorpion Floodlights



- 90deg angle mounting bracket
- Suits SCFL20F, SCFL30F & SCFL50F
- M6 Nut and Bolt assembly supplied
- 4mm Mount holes
- 6.4mm Center mounting hole
- Made out of 2mm powder coated steel

