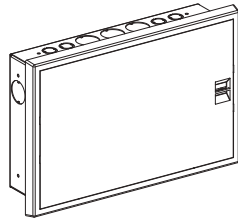
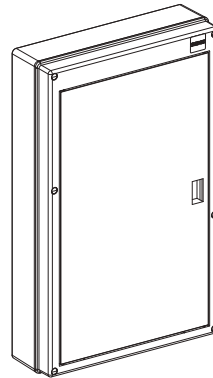


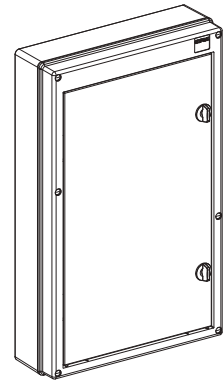
MX9E11●●S



MX9E111●F



MX9E1●12S



MX9EW●12S

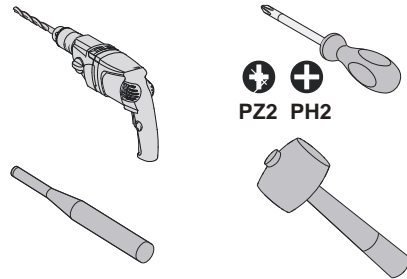
PLEASE NOTE

- This equipment must be installed and maintained by a qualified electrician in accordance with the appropriate statutory regulations and codes of practice.
- All applicable local, regional and national regulations must be complied with during the installation, use, maintenance and replacement of this device.
- This product should not be installed if, when unpacking it, you observe that it is damaged.
- Clipsal cannot be held responsible in the event of noncompliance with the instructions in this document and in the documents to which it refers.
- The service instruction must be observed throughout the life time of this product.

⚠️ DANGER

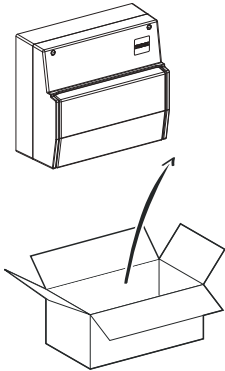
HAZARD OF ELECTRIC SHOCK, EXPLOSION OR ARC FLASH

- Turn off all power supplying this product before working on it.
 - Use a voltage tester with a suitable rated voltage in order to check that all active conductors aren't energized.
 - Carefully inspect the work area to check that no tools or objects could have been left inside the equipment.
- Failure to follow these instructions will result in death or serious injury.**

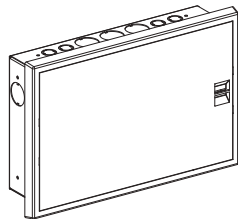


1 Unboxing

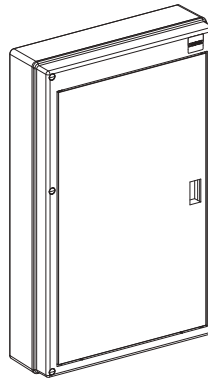
MX9E11●●S



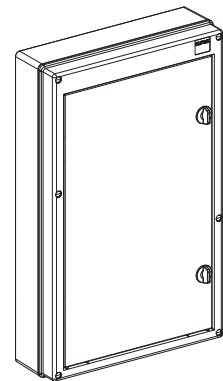
MX9E111●F



MX9E1●12S



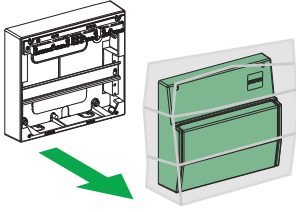
MX9EW●12S



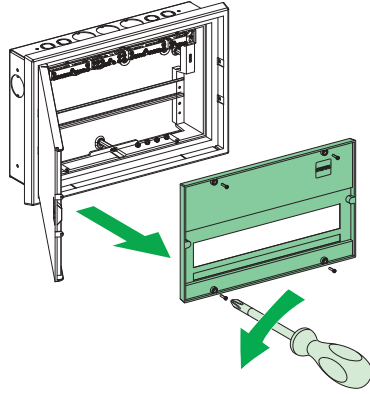
Commercial Reference Number	Green Label-1	Green Label-2	Pole Filler	Instruction Sheet	Screw M3.5	Earth Cable	Cap M8	WHT20 Cap	Cap M10
MX9E1111F	1	-	1	1	2	1	1	-	-
MX9E1117F	1	-	1	1	4	1	4	-	-
MX9E1111S	1	-	1	1	-	-	4	6	-
MX9E1117S	1	-	1	1	-	-	4	6	-
MX9E1106S	1	-	1	1	-	-	4	6	-
MX9E1212S	1	-	2	1	-	-	-	12	8
MX9E1312S	1	1	2	1	-	-	-	12	8
MX9EW212S	1	-	2	1	-	-	-	12	8
MX9EW312S	1	1	2	1	-	-	-	12	8

2 Removal of Front Cover

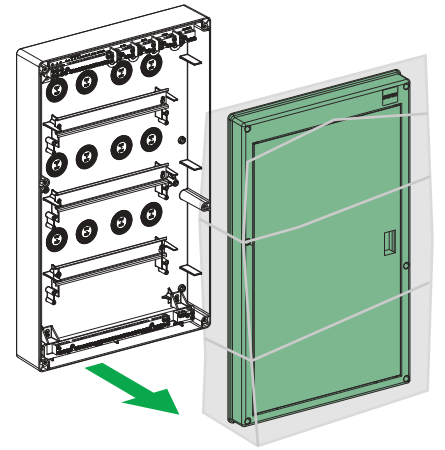
MX9E11●●S



MX9E111●F

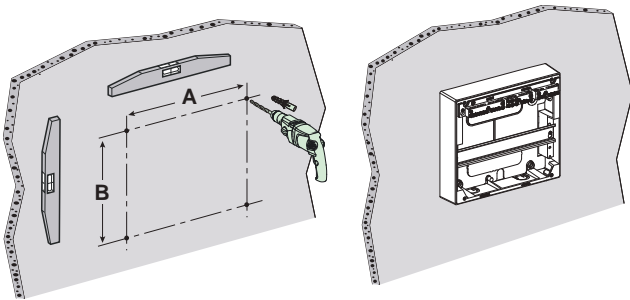


MX9E1●12S, MX9EW●12S



3 Mounting of Enclosures

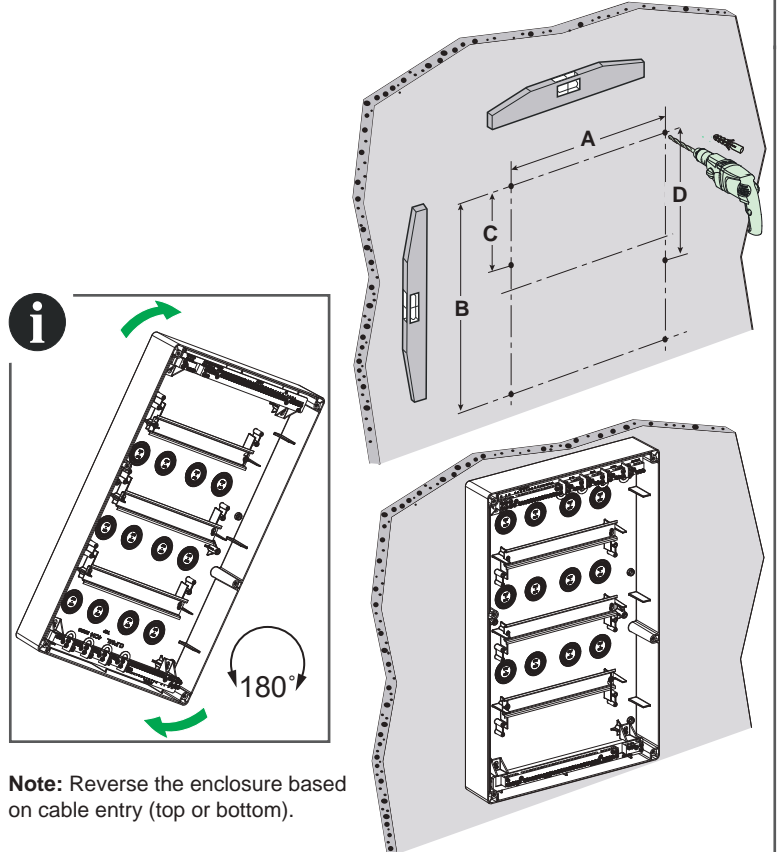
Surface Mount: MX9E11●●S



	A (mm)	B (mm)	C (mm)	D (mm)
MX9E1106S	36	172	-	-
MX9E1111S	158	172	-	-
MX9E1117S	240	172	-	-
MX9E1212S	310	320	120	200
MX9E1312S	310	455	187	267
MX9EW212S	310	320	120	200
MX9EW312S	310	455	187	267

Note: For surface mount mark the points corresponding to the box keyholes and drill holes accordingly.

MX9E1●12S, MX9EW●12S

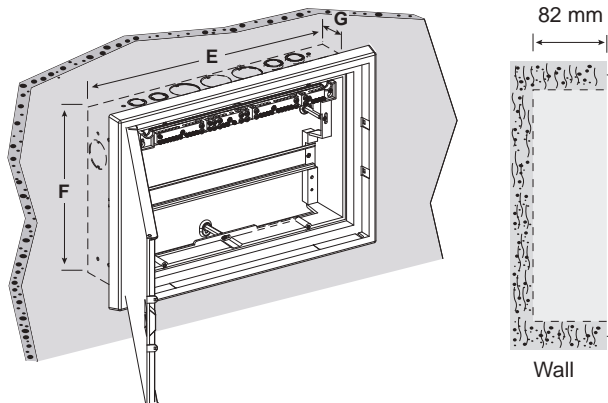


Note: Reverse the enclosure based on cable entry (top or bottom).

Flush Mount: MX9E111●F

	E (mm)	F (mm)	G (mm)
MX9E1111F	270	240	82
MX9E1117F	378	240	82

Note: For flush mount fix the box in the wall cavity with the outer edges projecting out the wall's surface (marking provided).



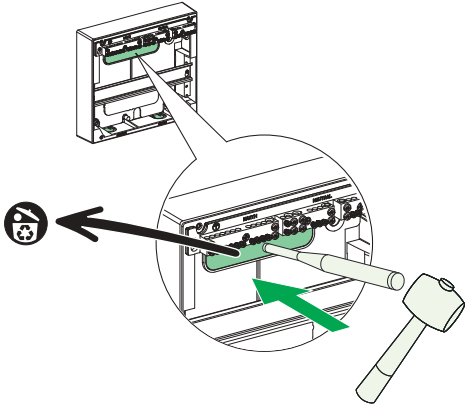


Cable Entry Knockouts

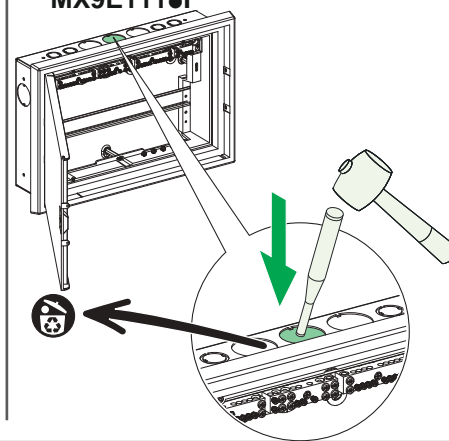
PLEASE NOTE

- Remove the minimum number of knockouts required for the incoming and outgoing cables to pass through easily.
- IP rating shall be maintained, suitable cable protection shall be applied with appropriate conduit.

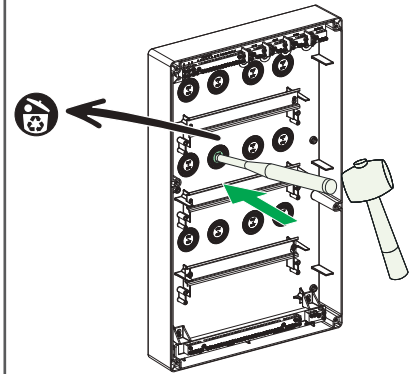
MX9E11●●S



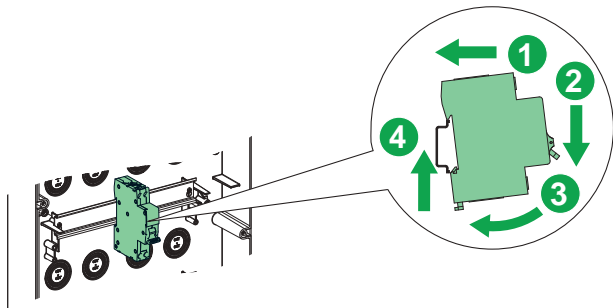
MX9E111●F



MX9E1●12S, MX9EW●12S



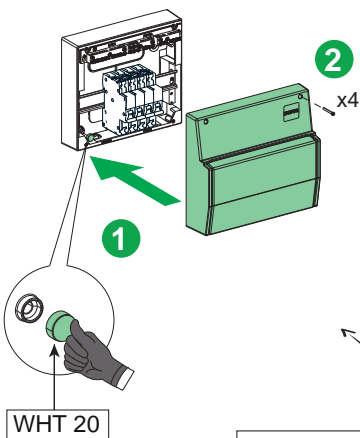
4 DIN Mounting of Devices



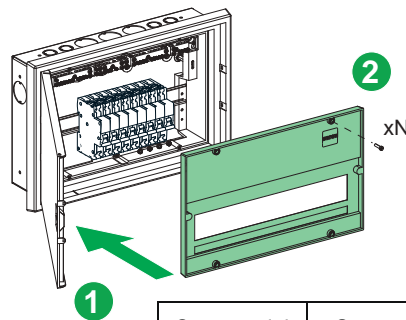
5 Finishing Installation

5.1 Assembly of Front Cover

MX9E11●●S

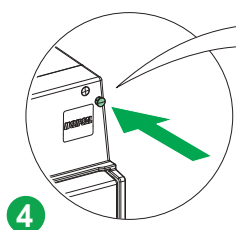
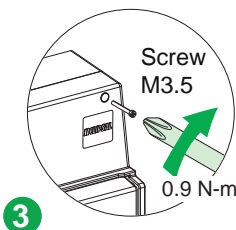
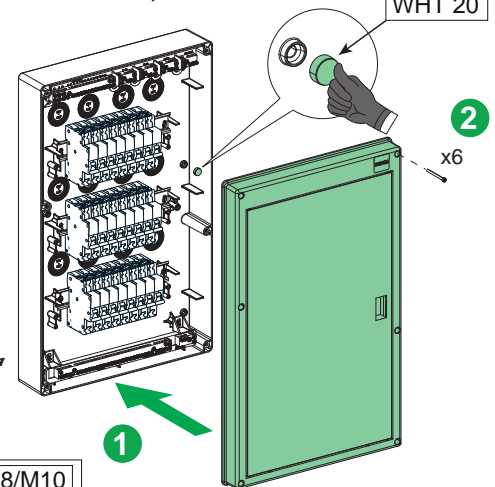


MX9E111●F



Commercial Reference	Screw QTY (N)
MX9E1111F	2
MX9E1117F	4

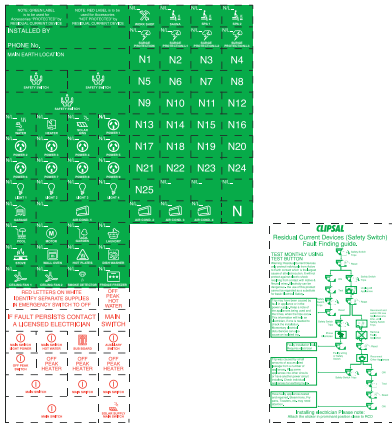
MX9E1●12S, MX9EW●12S



Note: Refer to BOM in the first page for the number of caps to be inserted.

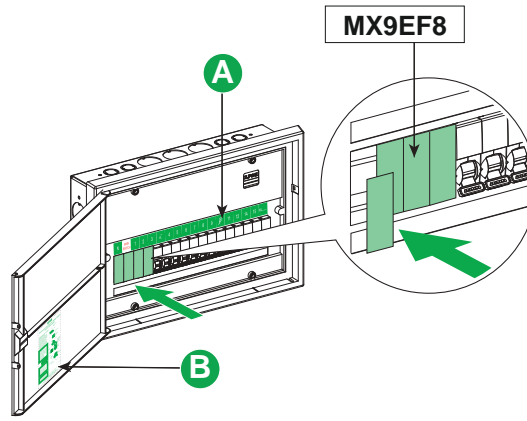
5.2 Labelling and Assembly of Pole Filler

MX9ELG



A

B



Clipsal by Schneider Electric (Australia) Pty Limited
 33-37 Port Wakefield Road
 Gepps Cross
 South Australia 5094

Customer Care Centre
 Tel: 1300 369 233
 Email: customer care.au@se.com
 Fax: 1300 369 288
www.clipsal.com

NNZ8545201

Life Is On

CLIPSAL
 by Schneider Electric

© 2021 Clipsal Australia Pty Ltd - All rights reserved.
 The identified trademarks and copyrights are the property of Clipsal Australia Pty Ltd unless otherwise noted.