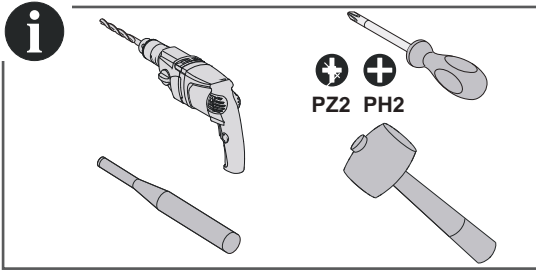


MX9E2•15S

MX9E2•15F

PLEASE NOTE

- This equipment must be installed and maintained by a qualified electrician in accordance with the appropriate statutory regulations and codes of practice.
- All applicable local, regional and national regulations must be complied with during the installation, use, maintenance and replacement of this device.
- This product should not be installed if, when unpacking it, you observe that it is damaged.
- Clipsal cannot be held responsible in the event of noncompliance with the instructions in this document and in the documents to which it refers.
- The service instruction must be observed throughout the life time of this product.



⚠ ⚠ DANGER

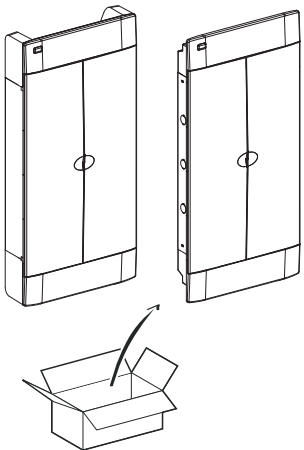
HAZARD OF ELECTRIC SHOCK, EXPLOSION OR ARC FLASH

- Turn off all power supplying this product before working on it.
- Use a voltage tester with a suitable rated voltage in order to check that all active conductors aren't energized.
- Carefully inspect the work area to check that no tools or objects could have been left inside the equipment.

Failure to follow these instructions will result in death or serious injury.

1 Unboxing

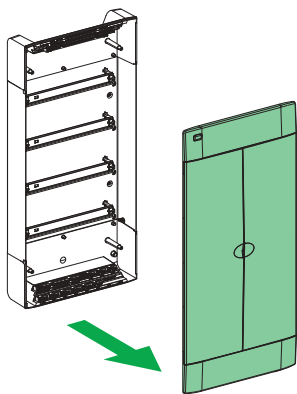
MX9E2•15S MX9E2•15F



Commercial Reference Number	Green Label 1 (N1-N25)	Green Label 2 (N26-N60)	Instruction Sheet	Pole Filler	Earth Wire	Earthing Conductor Tag	Screw M4	U-Link
MX9E2115S	1	-	1	1	-	1	4	2
MX9E2115F	1	-	1	1	-	1	4	2
MX9E2215S	1	-	1	2	1	1	4	2
MX9E2215F	1	-	1	2	1	1	4	2
MX9E2315S	2	1	1	2	2	1	4	2
MX9E2315F	2	1	1	2	2	1	4	2
MX9E2415S	3	1	1	3	3	1	4	3
MX9E2415F	3	1	1	3	3	1	4	3

2 Removal of Front Cover

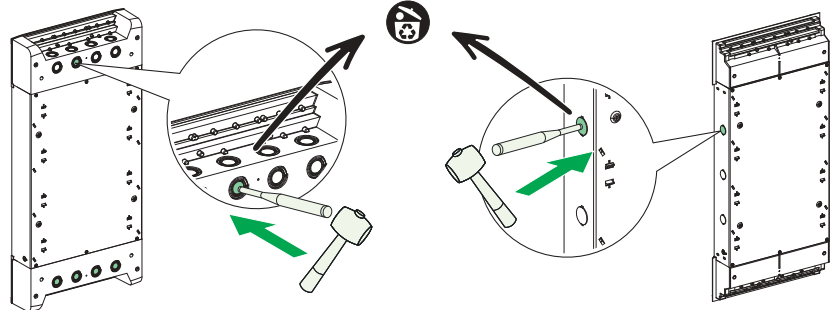
MX9E2•15S, MX9E2•15F



i Cable Entry Knockouts

MX9E2•15S

MX9E2•15F

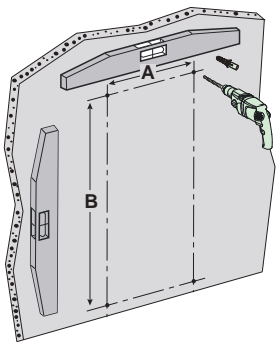


PLEASE NOTE

- Remove the minimum number of knockouts required for the incoming and outgoing cables to pass through easily.
- IP rating shall be maintained, suitable cable protection shall be applied with appropriate conduit.

3 Mounting of Enclosures

Surface Mount:



	A (mm)	B (mm)
MX9E2115S	260	115
MX9E2215S	338	309
MX9E2315S	338	559
MX9E2415S	338	693

Note: Mark the points corresponding to the box keyholes and drill holes accordingly.

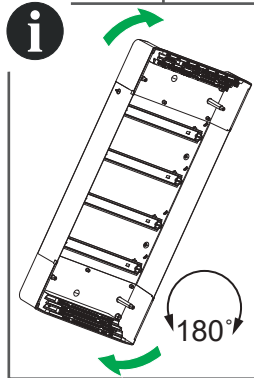
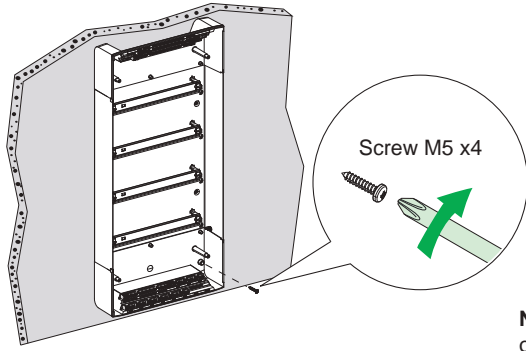
Flush Mount:

	C (mm)	D (mm)	E (mm)
MX9E2115F	335	223	70
MX9E2215F	335	357	70
MX9E2315F	335	631	70
MX9E2415F	335	765	70

Note:

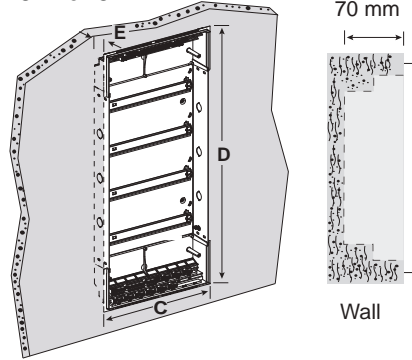
- Fix the box in the wall cavity with the outer edges projecting out the wall's surface (marking provided).
- Option of metal back plate available - Refer catalog for more details.

MX9E2•15S

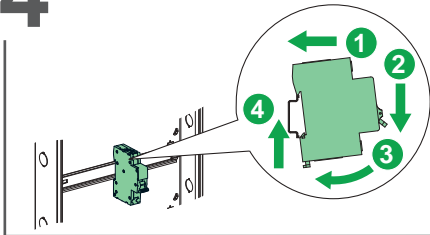


Note: Reverse the enclosure based on cable entry (top or bottom).

MX9E2•15F



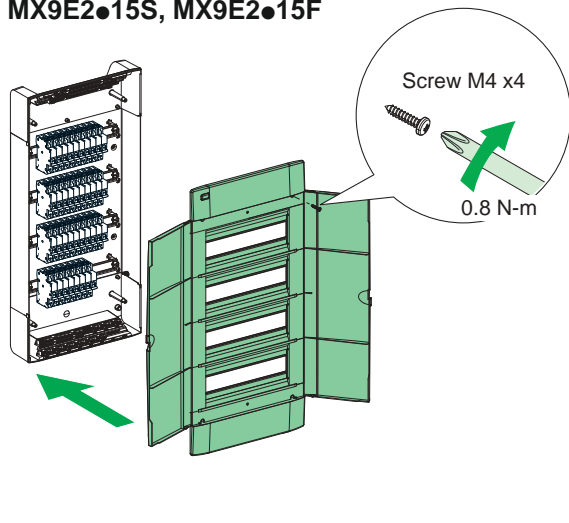
4 DIN Mounting of Devices



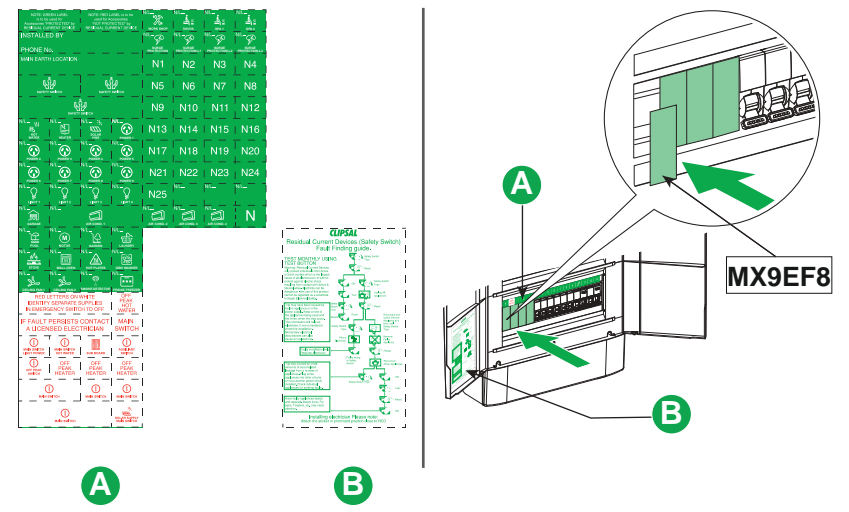
5 Finishing Installation

5.1 Assembly of Front Cover

MX9E2•15S, MX9E2•15F



5.2 Labelling and Assembly of Pole Filler



Clipsal by Schneider Electric (Australia) Pty Limited
 33-37 Port Wakefield Road
 Gepps Cross
 South Australia 5094

Customer Care Centre
 Tel: 1300 369 233
 Email: customercare.au@se.com
 Fax: 1300 369 288
 www.clipsal.com
 NNZ8545301

© 2021 Clipsal Australia Pty Ltd - All rights reserved.
 The identified trademarks and copyrights are the property of Clipsal Australia Pty Ltd unless otherwise noted.

Life Is On

CLIPSAL™
 by Schneider Electric