



Wiser™

Technical Catalogue

clipsal.com/wiser

Life Is On

CLIPSAL®
by Schneider Electric

Contents

- Overview p. 3
 - Simple and Scalable p. 3
 - Wiser™ Puts Your Customer in Control p. 4
 - Wiser™ System Architecture p. 5
 - Iconic™ Connected Solutions p. 6

- Technical Characteristics p. 7
 - Wiser™ Hub p. 7
 - Wiser™ Control Devices p. 9
 - Wiser™ Sensors p. 10
 - Wiser™ Micro Modules p. 14
 - Iconic™ Connected Devices p. 17

- Commercial Reference Numbers p. 21

- Wiser™ with Iconic™ p. 22

- Upgrade to ‘Skinability’ p. 22

- Green Premium™ p. 23



As a smart home solution you can configure and expand to suit any customer’s need, Clipsal Wiser™ gives you full flexibility.

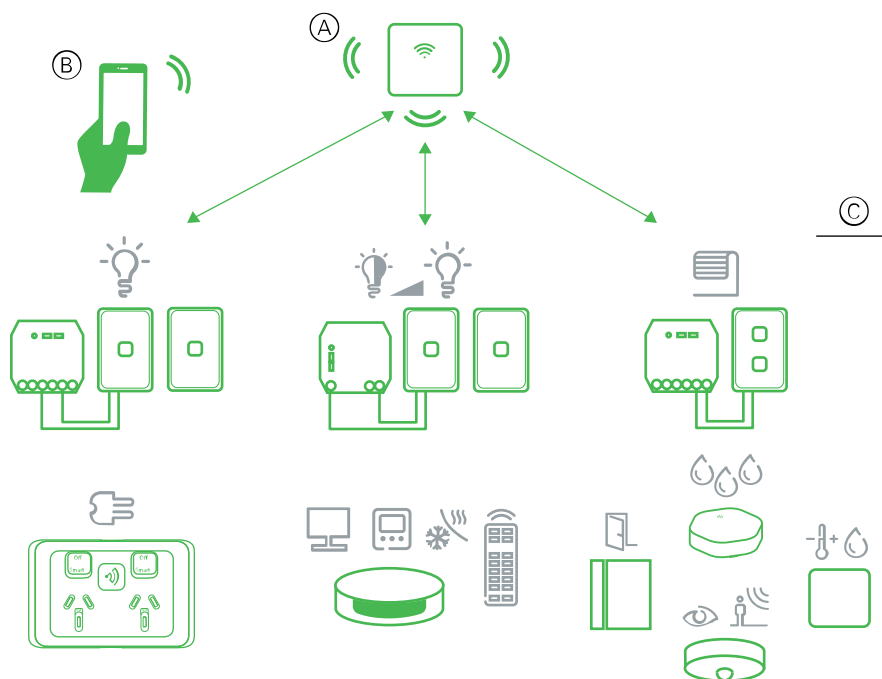
Be at the forefront of your next smart home installation with Clipsal Wiser, a product that combines local Australian know-how with Schneider Electric’s unrivalled global R&D and extensive smart home expertise. This award-winning smart home system is incredibly powerful, yet straightforward for a skilled electrician to install. Best of all, a Wiser Smart Home solution can be upgraded with modular components as your customer’s needs change.

Plus your customers can integrate third party devices like smart speakers for voice control, along with all products from the Clipsal Iconic range, so their Wiser Smart Home can grow with them.

Take your smart home business to the next level and discover the full range of solutions here.

Simple and Scalable

The Wiser™ system provides a convenient and flexible solution for controlling home devices.



Wiser Hub

The Wiser hub (see A) is the centre of the system, processing control requests and status reports for connected devices. With a personal account and the Wiser by SE app on a mobile phone (see B), users can control the Wiser devices in their home from any location where the internet is available.

Devices

A range of devices (see C) is available to provide convenient control of:

- Lighting Room Control
- Blind and Shutter Control
- Climate Control
- Energy Management.

Sensors are also available to record and report the following:

- room occupancy
- ambient light level
- window/door open or closed
- temperature and humidity
- water leakage.

Wiser™ Puts Your Customer in Control

Combine the settings of one or more devices to form a scene that can be operated manually with just a tap, or automatically when one or more conditions are met.

Moments

Activate pre-set scenes with just a tap

Your evening is about to begin. You settle in on the couch. The roller shutters close, the lights dim, and the TV switches on—everything you need for a cosy movie night. This is a Moment saved to your Wiser by SE app. Once you create it, you can use it again and again with just a tap on your smartphone's screen.

Automations

Set and forget scenes to match your daily routine

The members of your family always come home at about the same time. Using an Automation, your Wiser system can close the blinds to the blinds to give you more privacy and set the right lighting ambiance on your arrival—your Automation launches automatically according to your schedule.

You can set an Automation to activate based on date and/or time, sensor status and other options, depending on the devices in your Wiser system.



Wiser™ System Architecture

Wiser solutions use connected devices which leverage BLE and/or Zigbee technology, making them flexible and scalable.

Bluetooth Low Energy



BLE (Bluetooth Low Energy) provides fundamental in-room point to point app control from your smart device to an Iconic connected switch, dimmer and/or connected socket. BLE connection does not require a hub and only connects on demand, meaning it uses minimal energy.



Zigbee Mesh System

Zigbee is an international wireless standard that allows broad-based preparation of wireless networks which are cost effective and offer low-power solutions.



- Zigbee is a mesh network topology meaning that there are alternative paths for the information to go between two nodes in the network.
- Zigbee devices consume very little power and offer a very long battery life.
- Zigbee devices operate in networks, with paths spanning between 10 and 100 meters. (Range may be impacted by environment).

Mains powered Zigbee devices like switches, micro-modules and sockets act as signal repeaters or routing nodes, relaying the information sent by other devices and increasing coverage.

A Zigbee mesh network also has the following characteristics:

- Full redundancy for routing nodes.
- Self-configuring.
- Spontaneous re-routing when one or more links are down.
- Spontaneous re-routing in cases of traffic congestion.

Zigbee Mesh network example



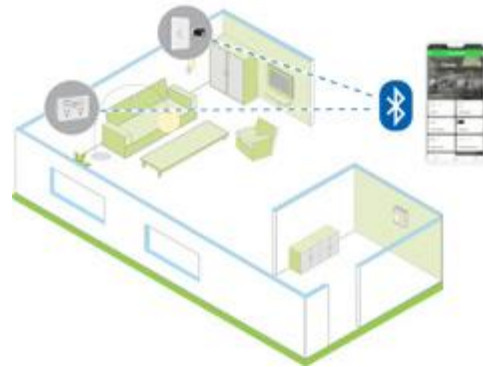
Iconic™ Connected Solutions

Scalable, from one switch to an entire home.


The Iconic connected switches, dimmers and sockets leverage both BLE (Bluetooth Low Energy) and Zigbee technology, making them ultra-flexible and scalable. Iconic connected devices in BLE default mode can be swapped to Zigbee mode after installation to allow the smart home to evolve over time with the changing needs of the end user.

Room control

Use the Wiser by SE App to set timers, schedulers or specific device features by pairing your smartphone to an Iconic connected device in BLE mode. When in the room, the end user can switch loads and dim lights through the Wiser by SE App or directly via the wall-mount switch. The Wiser Hub is not required.



Iconic connected devices (BLE default)

-  41E2PBSWM-VW 
-  41E10PBSWM-VW
-  41EPBDWCLM-VW
-  3025CSG

A clever combination of function and style






Iconic connected devices are supplied as a module or grid only, so that you can choose skins to match the end user's preferred style and colour.

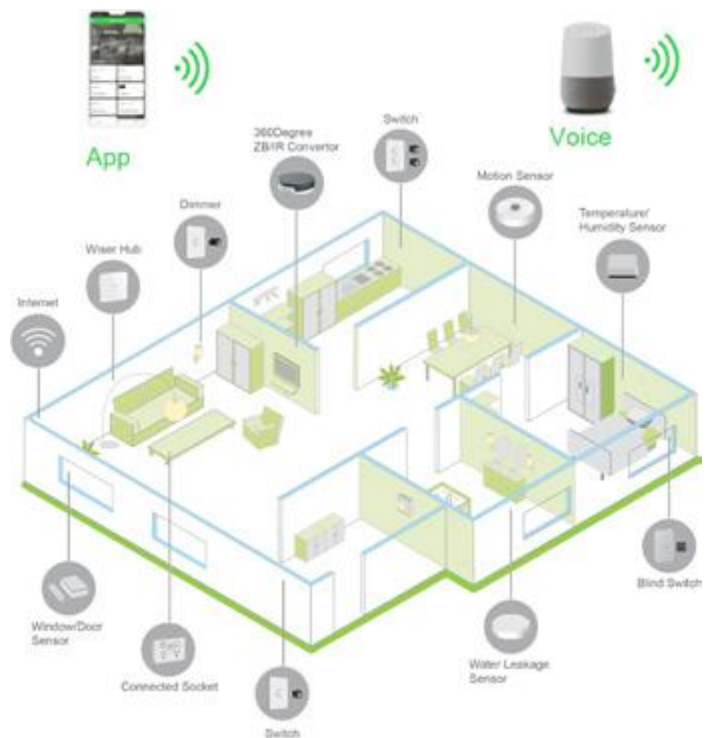
(Skins must be ordered separately.)

Wiser System

For an advanced smart home experience, Iconic connected devices in Zigbee mode can interact with other Wiser devices that are connected to the Wiser Hub. This allows the end user to benefit from the full feature set provided by the Wiser system, including Moments, sensor triggered actions, remote access to the home and voice control. The user is still able to control loads via the wall-mounted switches or the Wiser by SE App. See the Wiser System User Guide for more details.

Iconic connected devices (Zigbee default)

-  41E2PBSWMZ-VW 
-  41E10PBSWMZ-VW
-  41EPBDWCLMZ-VW
-  3025CSGZ





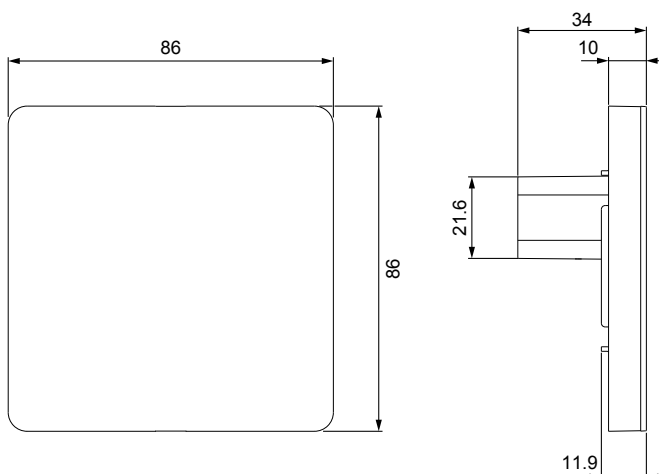
The Wiser Hub is the Wiser system communication interface, enabling you to easily manage your home environment. It connects Wiser devices and enables communication between one or more devices and a smartphone via the Wiser app. The hub also allows you to control your home from a remote location. The hub can be placed on a table using the optional table stand or mounted on the wall using screws as hooks.



Wiser Hub

Identification	
Commercial reference	CLP501902
Product or component type	Zigbee to IP network hub
Product colour	White
Power	
Power supply	AC adaptor (included) or 12 VDC/0.5 A power supply through 2-pin terminal block (not included)
Connector type	Micro USB port for the AC adaptor / 2-pin terminal block for cable 0.25 mm ² to 1.50 mm ²
Nominal power for AC adaptor	100-240 V AC, 50/60 Hz
System clock	RTC function with coin battery CR1220 (non-replaceable)
Communication	
Ethernet	IEEE802.3, 10/100 base-T (LAN)
Wi-Fi®	2.4 GHz, IEEE802.11 b/g/n
Zigbee	2.4 GHz, IEEE802.15.4 compliant
Environment	
IP degree	IP20
Operating temperature	0 °C to 40 °C
Operating humidity	10% to 90% RH, non-condensing
Installation	
Dimensions (H × W × D)	86 × 86 × 34 mm
Installation method	The device can be installed directly on the wall using mounting screws, or on a table using the separately available Wiser Hub Table Stand CLP501902_0001
Package content	Hub, screws and wall plugs, AC adaptor, 2-pin plug, AC adaptor USB cable
Certification	
Zigbee®	Zigbee 3.0
Additional information	
<ul style="list-style-type: none"> Monitors and controls Wiser Zigbee devices through the Wiser by SE app, Ethernet or Wi-Fi®. Through the Wiser by SE app, you can create Moments or Automations to operate Wiser Zigbee devices and Iconic connected devices in Zigbee mode. 	

Dimensions (mm)



Note:

Download the Wiser by SE app to your smartphone, and install the Wiser Hub to configure and control Wiser devices. You can use the app to pair, set up and control Wiser devices. The Wiser by SE app is available in the App stores for smartphones supporting operating systems Android™ OS (version 7 and above) or Apple® iOS (version 11 and above).

For more detailed information, refer to the on-line system user guide. Scan the QR code or follow the link: <https://www.productinfo.schneider-electric.com/clipsal/>





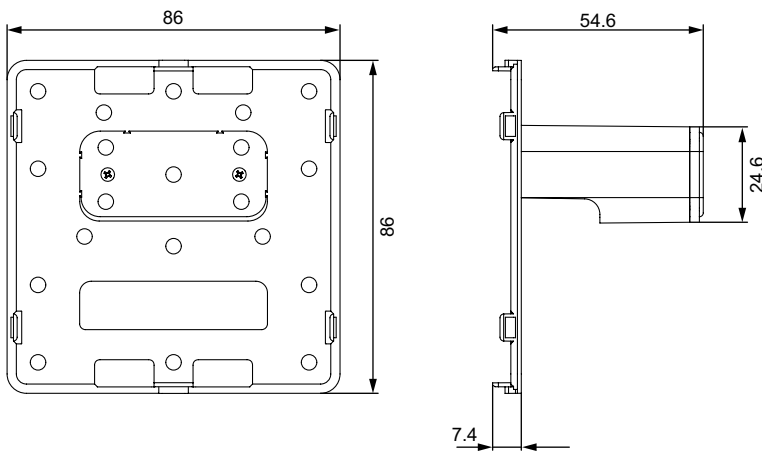
The Wiser Hub Table Stand is an optional stand for placing the Wiser Hub on a table or other flat surface.



Wiser Hub Table Stand

Identification	
Commercial reference	CLP501902_0001
Product or component type	Docking kit
Product colour	White
Environment	
Operating temperature	-10 °C to 45 °C
Relative humidity	10 % to 95 %
Installation	
Dimensions (H × W × D)	86 × 86 × 54.6 mm
Installation method	Attach Wiser Hub and place on table top

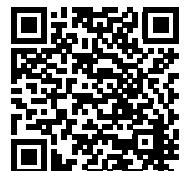
Dimensions (mm)



Note:

Download the Wiser by SE app to your smartphone, and install the Wiser Hub to configure and control Wiser devices. You can use the app to pair, set up and control Wiser devices. The Wiser by SE app is available in the App stores for smartphones supporting operating systems Android™ OS (version 7 and above) or Apple® iOS (version 11 and above).

For more detailed information, refer to the on-line system user guide. Scan the QR code or follow the link: <https://www.productinfo.schneider-electric.com/clipsal/>





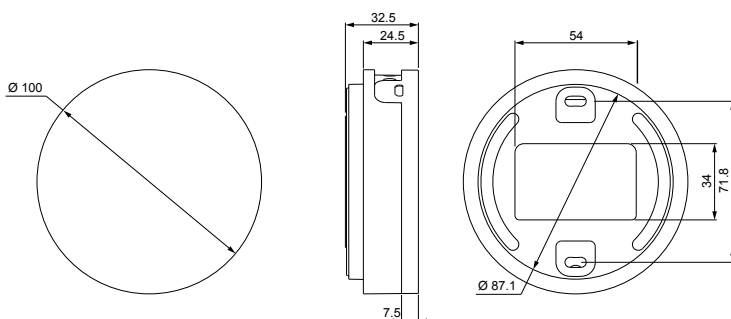
The Wiser IR Converter controls TVs, split air conditioners and HiFi systems via the Wiser by SE app using infrared (IR) technology. It can be mounted on the ceiling or placed on a table top. The device can be powered via either the Micro USB port (5 V DC, up to 1 A), or 4x AA Alkaline batteries. The Wiser IR Converter includes 3 IR ports to connect extendable IR emitter cables. The device also has an upgradeable IR database.



Wiser IR Converter

Identification	
Commercial reference	CLP501401
Product or component type	IR Controller
Product colour	Black/White
Power	
Power delivery	AC adaptor (included in package) or ×4 AA Alkaline battery (not included in package)
AC adaptor input	100-240 V AC, 50/60 Hz
AC adaptor output	5.0 V DC, 1.0 A, 5.0 W
AC adaptor connector type	Micro USB port
Alkaline battery life	Up to 1 year (may vary based on the usage, frequency of firmware update and environment)
Communication interface	
IR emitter energy	IEC825 compliant
Zigbee®	2.4 GHz, IEEE802.15.4 compliant
Operating frequency	2405-2480 MHz (Zigbee)
Max. radio frequency power Transmitted	<10 mW (Zigbee)
IR	
IR extension connector type	×3 3.5 mm mono mini plug
IR extension cable length	3 m Note: Applies to the recommended IR extension cable
IR control range (with extension cable)	1 m (from emitter to the IR controlled device) Note: Applies to the recommended IR extension cable
IR control range (without extension cable)	≤8 m (from Wiser IR Converter to IR controlled device)
Environment	
IP rating	IP20
Operating temperature	-10 °C to +45 °C
Operating humidity	10% to 90% RH, non-condensing
Installation	
Dimensions (Ø × D)	Ø100.0 mm × 32.5 mm

Dimensions (mm)



Note:

Download the Wiser by SE app to your smartphone, and install the Wiser Hub to configure and control Wiser devices. You can use the app to pair, set up and control Wiser devices. The Wiser by SE app is available in the App stores for smartphones supporting operating systems Android™ OS (version 7 and above) or Apple® iOS (version 11 and above).

For more detailed information, refer to the on-line system user guide. Scan the QR code or follow the link:
<https://www.productinfo.schneider-electric.com/clipsal/>





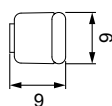
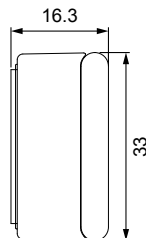
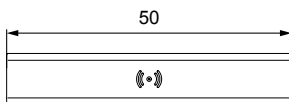
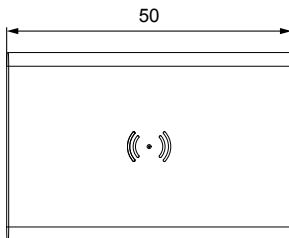
The Wiser Window/Door Sensor detects opened and closed windows and doors, and reports the status to the Wiser Hub. It consists of two separate parts: a sensor and magnet. The sensor includes a circuit which detects the magnet when it is in close proximity. When the sensor is connected to the Wiser Hub and the window/door is opened or closed, the sensor reports the change to the Wiser Hub.



Wiser Window/Door Sensor

Identification	
Commercial reference	CLP591011
Product or component type	Sensor
Product colour	White
Power	
Operating voltage	3 V DC (1 lithium button cell battery CR 2450)
Battery life	Up to 5 years (may vary based on the usage, frequency of firmware update and environment)
Environment	
IP rating	IP20
Operating temperature	-10 °C to 50 °C
Operating humidity	10 % to 95 % RH, non-condensing
Installation	
Dimensions (H × W × D)	Sensor: 50 × 33 × 16.3 mm Magnet: 50 × 9 × 9 mm
Installation method	On window and door frames, with screws or adhesive pads
Package content	Sensor, battery (pre-inserted), sensor, magnet, mounting base plate, double-sided adhesive pads, 2 screws, and 2 wall plugs.
Certification	
Zigbee®	Zigbee 3.0

Dimensions (mm)



Note:

Download the Wiser by SE app to your smartphone, and install the Wiser Hub to configure and control Wiser devices. You can use the app to pair, set up and control Wiser devices. The Wiser by SE app is available in the App stores for smartphones supporting operating systems Android™ OS (version 7 and above) or Apple® iOS (version 11 and above).

For more detailed information, refer to the on-line system user guide. Scan the QR code or follow the link: <https://www.productinfo.schneider-electric.com/clipsal/>





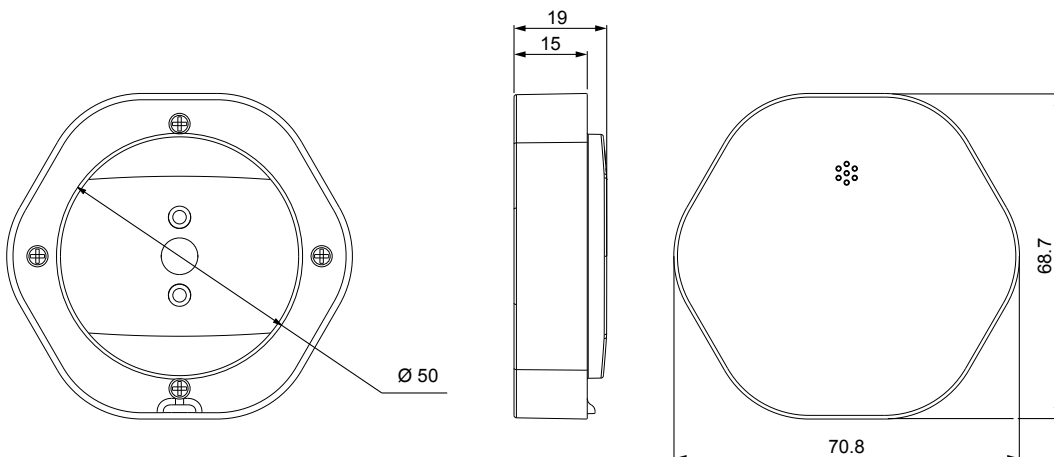
The Wiser Water Leakage Sensor detects the presence of water and alerts via an alarm and/or notification. When the sensor is connected to the Wiser Hub and detects water on the floor, it sends out a sound alarm and reports the event to the Wiser Hub. Householders with the Wiser by SE app installed on their smartphones can receive a push notification. The sensor should be placed where leaks are most likely to occur: the bottom level of your home or places like basement, kitchen, bathroom, balcony, bedroom, living room, utility room or anywhere you think leaks are possible. The sensor has two sensing pads at the bottom of the body. The pads are in contact with the floor surface when the sensor is placed in its operating position. The alarm activates when water is present between the pads.



Wiser Water Leakage Sensor

Identification	
Commercial Reference	CLP592011
Product colour	White
Product or component type	Sensor
Power	
Operating voltage	3 V DC (2 batteries LR03 AAA)
Battery life	Up to 5 years (may vary based on the usage, frequency of firmware update and environment)
Characteristics	
Sound level	≥70 dB at 3 m distance
Environment	
IP rating	IP44
Operating temperature	-10 °C to 50 °C
Operating humidity	10 % to 95 % RH, non-condensing
Installation	
Dimensions (H × W × D)	70.8 × 68.7 × 19 mm
Installation method	Place in the area of detection with the water sensor facing downwards
Package content	Sensor, 2 batteries (pre-inserted)
Certification	
Zigbee®	Zigbee 3.0

Dimensions (mm)



Note:

Download the Wiser by SE app to your smartphone, and install the Wiser Hub to configure and control Wiser devices. You can use the app to pair, set up and control Wiser devices. The Wiser by SE app is available in the App stores for smartphones supporting operating systems Android™ OS (version 7 and above) or Apple® iOS (version 11 and above).

For more detailed information, refer to the on-line system user guide. Scan the QR code or follow the link:
<https://www.productinfo.schneider-electric.com/clipsal/>





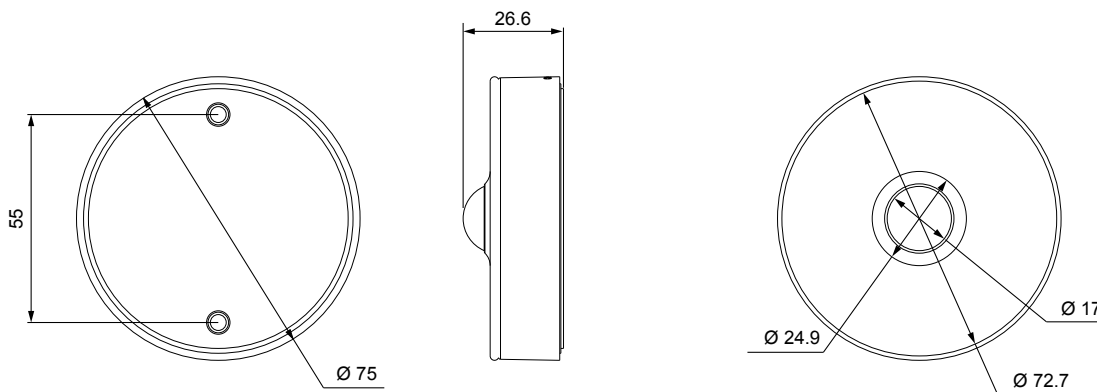
The Wiser Motion Sensor detects movement and measures luminance in a room, and reports the status to the Wiser Hub. It controls Wiser devices to configure the room for a desired effect. The threshold of luminance settings and/or detection of movement can be programmed to determine what action to be taken at that moment: for example, switch on a lamp controlled by a Wiser switch or dimmer.



Wiser Motion Sensor

Identification	
Commercial Reference	CLP595011
Product colour	White
Product or component type	Sensor
Power	
Operating voltage	3 V DC (2 batteries LR03 AAA)
Battery life	Up to 5 years (may vary based on the usage, frequency of firmware update and environment)
Characteristics	
Lux measurement range	0 lx to 2000 lx
Lux resolution	1 lx
Accuracy of lux measurement	±50 lx (<100 lx) or ±30 % lx (>100 lx)
Environment	
IP rating	IP20
Operating temperature	-10 °C to 50 °C
Operating humidity	10 % to 95 % RH, non-condensing
Installation	
Dimensions (Ø × D)	Ø 75.0 mm × 26.6 mm
Installation method	Surface-mounting, with screws or adhesive pads, on a ceiling or a wall
Ceiling mounting	At 2.5 m Detection angle: 360° Detection range: 4 m diameter max.
Wall mounting	At 1.2 m Detection angle: 90° to 110° horizontal and vertical Detection range: 5 m in radius max.
Package content	Sensor, 2 batteries (pre-inserted), mounting base plate, double-sided adhesive pads, 2 screws, 2 wall plugs, instruction sheet
Certification	
Zigbee®	Zigbee 3.0

Dimensions (mm)



Note:

Download the Wiser by SE app to your smartphone, and install the Wiser Hub to configure and control Wiser devices. You can use the app to pair, set up and control Wiser devices. The Wiser by SE app is available in the App stores for smartphones supporting operating systems Android™ OS (version 7 and above) or Apple® iOS (version 11 and above).

For more detailed information, refer to the on-line system user guide. Scan the QR code or follow the link: <https://www.productinfo.schneider-electric.com/clipsal/>





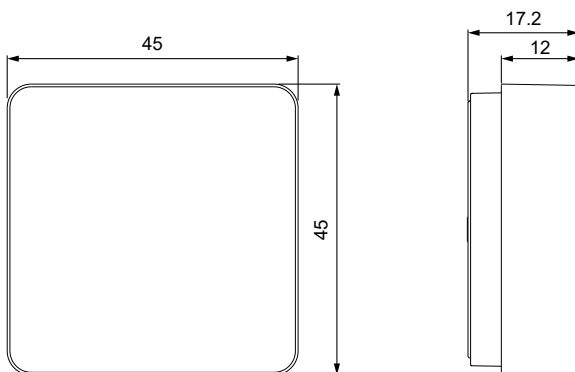
The Wiser Temperature/Humidity Sensor helps to maintain a comfortable environment in the home by detecting changes in temperature and humidity and reporting climate data to the Wiser Hub.



Wiser Temperature/Humidity Sensor

Identification	
Commercial Reference	CLP593011
Product colour	White
Product or component type	Sensor
Power	
Operating voltage	3 V DC (1 lithium button cell battery CR 2450)
Battery life	Up to 5 years (may vary based on the usage, frequency of firmware update and environment)
Characteristics	
Temperature accuracy	±1.5 °C
Temperature resolution	0.1 °C
Humidity accuracy	±5 %
Environment	
IP rating	IP20
Operating temperature	-10 °C to 50 °C
Operating humidity	10 % to 95 % RH, non-condensing
Installation	
Dimensions (H × W × D)	45 × 45 × 17.2 mm
Installation method	Surface-mounting, with screws or adhesive pads
Package content	Sensor, battery (pre-inserted), mounting base plate, double-sided adhesive pads, 2 screws, 2 wall plugs, instruction sheet
Certification	
Zigbee®	Zigbee 3.0

Dimensions (mm)



Note:

Download the Wiser by SE app to your smartphone, and install the Wiser Hub to configure and control Wiser devices. You can use the app to pair, set up and control Wiser devices. The Wiser by SE app is available in the App stores for smartphones supporting operating systems Android™ OS (version 7 and above) or Apple® iOS (version 11 and above).

For more detailed information, refer to the on-line system user guide. Scan the QR code or follow the link: <https://www.productinfo.schneider-electric.com/clipsal/>



Technical Characteristics

Wiser™ Micro Modules



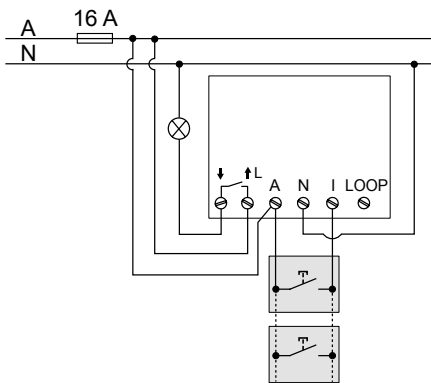
The Wiser Micro Module Switch combines the advantages of smart switch functionality with ordinary momentary (bell press) push-button switches. It transforms a conventional push-button switch into a connected device you can control from the switch or through the Wiser by SE app. Up to 10 momentary push-button switches can be connected to one Wiser Micro Module Switch to control a connected load. The device can switch ohmic, inductive or capacitive loads.



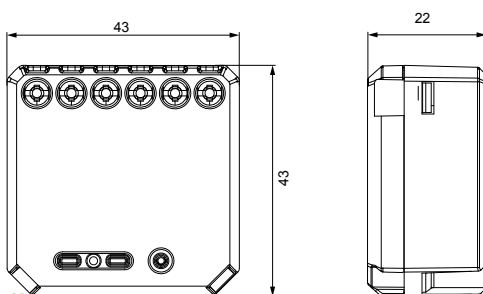
Wiser Micro Module Switch

Identification	
Commercial Reference	CLP5011WSZ
Product colour	Grey
Product or component type	Micro Module
Power	
Nominal voltage	220-240 V AC, 50/60 Hz
Nominal current	10 AX
Switching	1 switching channel with dry contact
Maximum load	
LED lamp 230 V	200 W
Incandescent lamp 230 V	2200 W
Halogen lamp 230 V	2000 W
LV halogen lamps	electronic transformer 1050 VA
	ferromagnetic transformer 500 VA
Capacitive load	10 A, 140 mF
Energy-saving lamps	100 W
Motor	1000 VA
Characteristics	
Direct operation	Operate the Wiser Micro Module Switch via a connected momentary push button (up to 10 push buttons can be connected)
Remote operation via Wiser by SE app	<ul style="list-style-type: none"> Operate the Wiser Micro Module Switch using the app on your smartphone (the micro module must be paired to the Wiser Hub) Set a timer or time schedule via the app
Environment	
IP rating	IP20
Operating temperature	-10 °C to 50 °C
Operating humidity	10 % to 95 % RH, non-condensing
Installation	
Dimensions (H x W x D)	43 x 43 x 22 mm
Installation method	Mount in wall box with a minimum depth of 26 mm. Notes: <ul style="list-style-type: none"> If you place the micro module directly behind the external push button, use a deep wall box. Neutral conductor required.
Certification	
Zigbee®	Zigbee 3.0

Wiring diagram



Dimensions (mm)



Note:

Download the Wiser by SE app to your smartphone, and install the Wiser Hub to configure and control Wiser devices. You can use the app to pair, set up and control Wiser devices. The Wiser by SE app is available in the App stores for smartphones supporting operating systems Android™ OS (version 7 and above) or Apple® iOS (version 11 and above).

For more detailed information, refer to the on-line system user guide. Scan the QR code or follow the link: <https://www.productinfo.schneider-electric.com/clipsal/>





The Wiser Micro Module Dimmer combines the advantages of smart dimmer functionality with ordinary momentary (bell press) push-button switches. It transforms a conventional push-button switch into a connected device you can control from the switch or through the Wiser by SE app. Up to 10 momentary push-button switches can be connected to one Wiser Micro Module Dimmer to control a dimmable load. The device can switch and dim ohmic, inductive or capacitive loads.



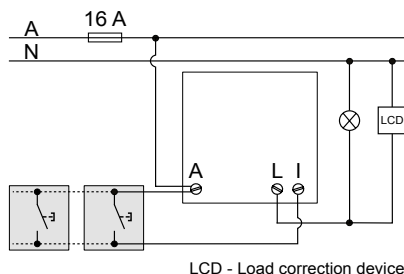
Wiser Micro Module Dimmer

Identification	
Commercial Reference	CLP5010WDZ
Product colour	Grey
Product or component type	Micro Module
Power	
Nominal voltage	220-240 V AC, 50/60 Hz
Dimming	1 dimming channel
Maximum load	
LED lamp 230 V	RC ⁽¹⁾ : 5 to 100 W RL ⁽²⁾ : 5 to 20 W
Incandescent lamp 230 V	14 to 200 W
Halogen lamp 230 V	14 to 150 W
LV halogen lamps	dimmable electronic transformer: 14 to 200 VA dimmable ferromagnetic transformer: 14 to 150 VA
Characteristics	
Micro module	<ul style="list-style-type: none"> Automatic load detection Brightness memory function Soft start, soft stop Electronic overload protection, overheating protection, short-circuit protection.
Direct operation	Operate the Wiser Micro Module Dimmer via a connected momentary push button (up to 10 push buttons can be connected)
Remote operation via Wiser by SE app	<ul style="list-style-type: none"> Operate the Wiser Micro Module Dimmer using the app on your smartphone (the micro module must be paired to the Wiser Hub) Set the switch-on brightness or memory function (default setting) Set the dimming range: minimum and maximum brightness Set the LED operating mode manually (RL LED mode) Set a timer or time schedule via the app
Environment	
IP rating	IP20
Operating temperature	-10 °C to 50 °C
Operating humidity	10 % to 95 % RH, non-condensing
Installation	
Dimensions (H xW xD)	43 x 43 x 22 mm
Installation method	Mount in wall box with a minimum depth of 26 mm. Note: If you place the micro module directly behind the external push button, use a deep wall box.
Certification	
Zigbee®	Zigbee 3.0

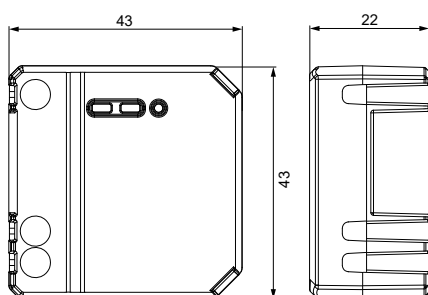
(1) RC = Resistive and Capacitive loads.

(2) RL = Resistive and Inductive loads.

Wiring diagram



Dimensions (mm)



Note:

Download the Wiser by SE app to your smartphone, and install the Wiser Hub to configure and control Wiser devices. You can use the app to pair, set up and control Wiser devices. The Wiser by SE app is available in the App stores for smartphones supporting operating systems Android™ OS (version 7 and above) or Apple® iOS (version 11 and above).

For more detailed information, refer to the on-line system user guide. Scan the QR code or follow the link: <https://www.productinfo.schneider-electric.com/clipsal/>



Technical Characteristics

Wiser™ Micro Modules



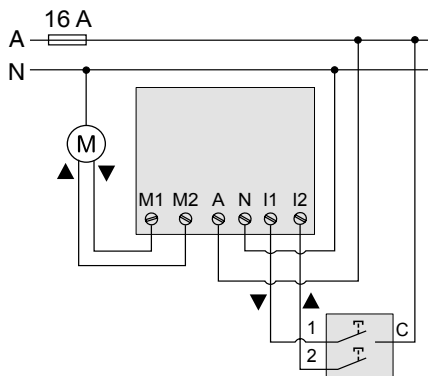
The Wiser Micro Module Blind Controller combines the advantages of smart shutter functionality with ordinary momentary (bell press) push-button switches. It transforms a conventional double push-button switch into a connected device you can control from the switch or through the Wiser by SE app. Up to 10 double momentary push-button switches can be connected to one Wiser Micro Module Blind Controller to control a connected blind or roller shutter. The Blind Control Micromodule is designed to control 240V twin active blind and shutter motors equipped with an end position switch. Relay contacts mechanically locked against each other help to prevent simultaneous triggering of the two relay outputs.



Wiser Micro Module Blind Controller

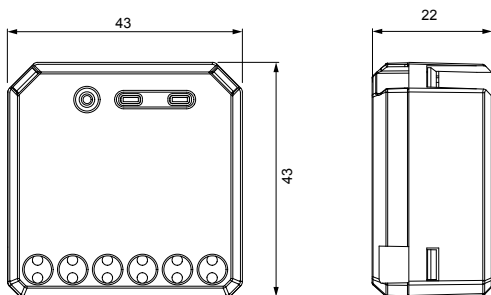
Identification	
Commercial Reference	CLP5015WBZ
Product colour	Grey
Product or component type	Micro Module
Power	
Nominal voltage	220-240 V AC, 50/60 Hz
Nominal current	4 A, $\cos \phi = 0.6 - 1.0$
Channel	1 blind channel, mechanically and electronically locked against each other
Maximum load	
Motor	500 VA
Characteristics	
Micro module	Protection of the motor against damage with two mutually mechanically and electronically locked relay contacts
Direct operation	Operate the Wiser Micro Module Blind Controller via a connected double momentary push button (up to 10 double push buttons can be connected)
Remote operation via Wiser by SE app	<ul style="list-style-type: none"> Operate the Wiser Micro Module Blind Controller using the app on your smartphone (the micro module must be paired to the Wiser Hub) Set the running time Set a timer or time schedule via the app
Environment	
IP rating	IP20
Operating temperature	-10 °C to 50 °C
Operating humidity	10 % to 95 % RH, non-condensing
Installation	
Dimensions (H xW xD)	43 x 43 x 22 mm
Installation method	Mount in wall box with a minimum depth of 26 mm. Notes: <ul style="list-style-type: none"> If you place the micro module directly behind the external push button, use a deep wall box. Neutral conductor required
Certification	
Zigbee®	Zigbee 3.0

Wiring diagram



Push button: 1 x Momentary 3-position switch

Dimensions (mm)



Note:

Download the Wiser by SE app to your smartphone, and install the Wiser Hub to configure and control Wiser devices. You can use the app to pair, set up and control Wiser devices. The Wiser by SE app is available in the App stores for smartphones supporting operating systems Android™ OS (version 7 and above) or Apple® iOS (version 11 and above).

For more detailed information, refer to the on-line system user guide. Scan the QR code or follow the link: <https://www.productinfo.schneider-electric.com/clipsal/>



Technical Characteristics

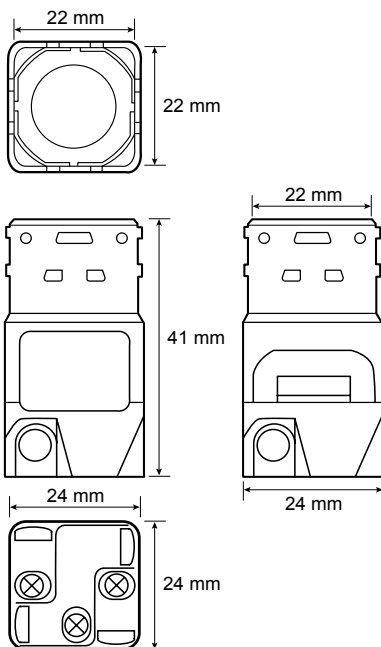
Iconic™ Connected Devices



The Iconic Connected Switch 2 AX is ideal for controlling LED lighting loads and exhaust fans. The small housing with integrated terminals allows quick installation into 6-Gang plates and standard wall-boxes. The product comes in 3-wire design and requires a neutral. The subtle Iconic status LED indicator can be customized using the Wiser by SE app. When in BLE mode the 2A switch has 1s-24hr time delay and run-on timer functionality. When connected to the Wiser Hub, the switch can be integrated into Moments or simply be operated as a timer or time scheduler. It can be controlled through the push button on the wall, remotely using the Wiser by SE app or voice command.



Dimensions (mm)

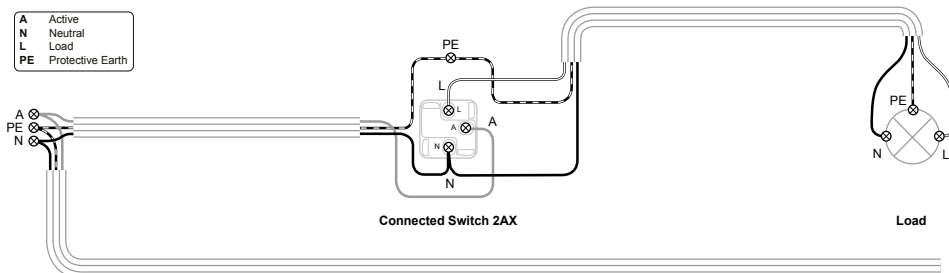


Iconic Connected Switch 2 AX

Identification	
Commercial Reference	41E2PBSWMZ-VW (Zigbee) 41E2PBSWM-VW (BLE)
Supported protocols	Zigbee 3.0 and BLE
Product colour	Vivid White
Product or component type	Connected Mechanism
Power	
Operating voltage	220–240 V AC, 50 Hz
Switching technique	Relay
Maximum load	
Resistive load (e.g. incandescent lighting)	2 A
MV halogen load	
Electronic LV lighting transformers	
LED lighting drivers	
Linear fluorescent ballasts	2 A @ 0.6 pF
Inductive load (e.g. exhaust fan)	
M-rating	M.8
Characteristics	
Mechanism	<ul style="list-style-type: none"> Over-temperature and thermal protection LED indicator
Multiway control	No
Environment	
IP rating	IP20
Operating humidity	5%–90% RH, non-condensing
Installation	
Mounting centres	84 mm pattern plate
Compatible plate ranges	Iconic, Iconic Styl, Iconic Essence, Pro Series
Multi-gang plate capacity	Max 6 primary mechs per plate
Certification	
Zigbee®	Zigbee 3.0
Compliance	
Safety	AS/NZS 60669.2.1
EMC	AS/NZS 60669.2.1
RF	AS/NZS 4268

Wiring diagram

(Typical installation using Iconic Connected Module)



Note:

Download the Wiser by SE app to your smartphone, and install the Wiser Hub to configure and control Wiser devices. You can use the app to pair, set up and control Wiser devices. The Wiser by SE app is available in the App stores for smartphones supporting operating systems Android™ OS (version 7 and above) or Apple® iOS (version 11 and above).

For more detailed information, refer to the on-line system user guide. Scan the QR code or follow the link: <https://www.productinfo.schneider-electric.com/clipsal/>



Technical Characteristics

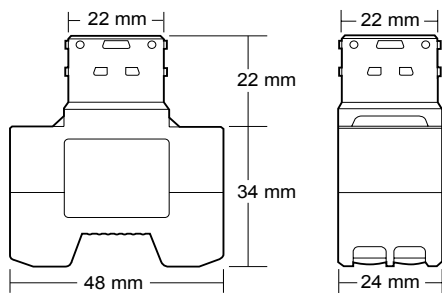
Iconic™ Connected Devices



The Iconic Connected Switch 10 AX is suitable for controlling a wide variety of loads. The housing with integrated terminals allows quick installation into 3-Gang plates and deep wall-boxes. The product comes in 3-wire design and requires a neutral. ControlLink provides the option for hard-wired multiway switching. The subtle Iconic status LED indicator can be customized using the Wiser by SE app. When in BLE mode the 10AX switch has 1s-24hr time delay and 24/7 scheduling functionality. When connected to the Wiser Hub, the switch can be integrated into Moments or simply be operated as a timer or time scheduler. It can be controlled through the push button on the wall, remotely using the Wiser by SE app or voice command.



Dimensions (mm)



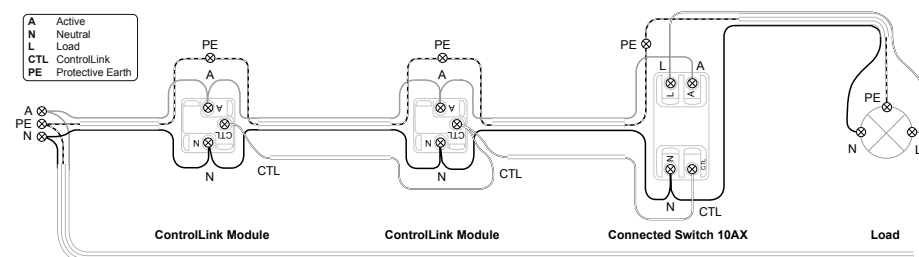
Wiring diagram

(Typical 3-way installation using Iconic Connected Module)

Note: Set the ControlLink Module to Switch mode - see ControlLink Module instructions

Notes:

- All Active connections must be on the same phase.
- Up to 5-way switching (e.g. 1x 10AX Switch plus up to 4x ControlLink Modules, or up to 3x 10AX Switches plus 2x ControlLink Modules). In case of multiple 10AX Switches being installed, each switch must be connected to a separate load.
- Total length of CTL and Active loop: max. 50 m.
- Control and load cables must not be coupled.



Note:

Download the Wiser by SE app to your smartphone, and install the Wiser Hub to configure and control Wiser devices. You can use the app to pair, set up and control Wiser devices. The Wiser by SE app is available in the App stores for smartphones supporting operating systems Android™ OS (version 7 and above) or Apple® iOS (version 11 and above).

Iconic Connected Switch 10 AX

Identification	
Commercial Reference	41E10PBSWMZ-VW (Zigbee) 41E10PBSWM-VW (BLE)
Supported protocols	Zigbee 3.0 and BLE
Product colour	Vivid White
Product or component type	Connected Mechanism
Power	
Operating voltage	220–240 V AC, 50 Hz
Switching technique	Relay
Maximum load	
Resistive load (e.g. incandescent lighting)	15 A
MV halogen load	10 A
Electronic LV lighting transformers	
LED lighting drivers	
Linear fluorescent ballasts	
Inductive load (e.g. exhaust fan)	6 A @ 0.6 pF
M-rating	M.40
Characteristics	
Mechanism	<ul style="list-style-type: none"> Over-temperature and thermal protection LED indicator
Multiway control	<ul style="list-style-type: none"> Via ControlLink (up to 5-way switching) Total length of CTL and Active loop: max. 50 m
Power failure data retention	<ul style="list-style-type: none"> Internal date/time retained for at least 6 hrs Settings preserved indefinitely
Environment	
IP rating	IP20
Operating humidity	5%–90% RH, non-condensing
Installation	
Mounting centres	84 mm pattern plate
Compatible plate ranges	Iconic, Iconic Styl, Iconic Essence, Pro Series
Multi-gang plate capacity	Max 3 primary mechs per plate
Certification	
Zigbee®	Zigbee 3.0
Compliance	
Safety	AS/NZS 60669.2.1
EMC	AS/NZS 60669.2.1
RF	AS/NZS 4268

For more detailed information, refer to the on-line system user guide. Scan the QR code or follow the link: <https://www.productinfo.schneider-electric.com/clipsal/>



Technical Characteristics

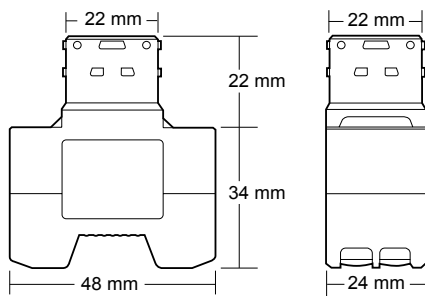
Iconic™ Connected Devices



The Iconic Connected Dimmer is suitable for controlling a wide variety of loads. The housing with integrated terminals allows quick installation into 3-Gang plates and deep wall-boxes. The product comes in 3-wire design and requires a neutral. ControlLink provides the option for hard-wired multiway dimming. The subtle Iconic status LED indicator can be customized using the Wiser by SE app. When in BLE mode the Connected Dimmer has 1s-24hr time delay and 24/7 scheduler functionality. When connected to the Wiser Hub, the dimmer can be integrated into Moments or simply be operated as a timed or time scheduled dimmer. It can be controlled through the push button on the wall, remotely using the Wiser by SE app or voice command.



Dimensions (mm)



Wiring diagram

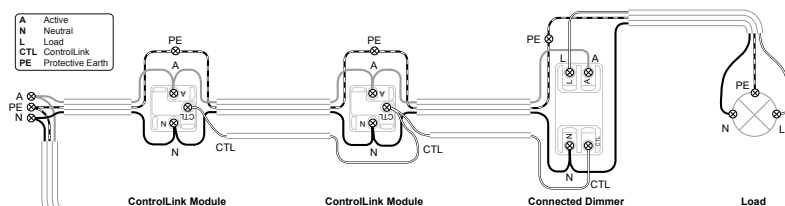
(Typical 3-way installation using Iconic Connected Module)

Note:

ControlLink Modules work with the Connected Dimmer out-of-the-box.

Notes:

- All Active connections must be on the same phase.
- Up to 5-way dimming (e.g. 1x Dimmer plus up to 4x ControlLink Modules, or up to 3x Dimmers plus 2x ControlLink Modules).
- In case of multiple Dimmers being installed, each Dimmer must be connected to a separate load.
- Total length of CTL and Active loop: max. 50 m.
- Control and load cables must not be coupled.



Note:

Download the Wiser by SE app to your smartphone, and install the Wiser Hub to configure and control Wiser devices. You can use the app to pair, set up and control Wiser devices. The Wiser by SE app is available in the App stores for smartphones supporting operating systems Android™ OS (version 7 and above) or Apple® iOS (version 11 and above).

Iconic Connected Dimmer

Identification	
Commercial Reference	41EPBDWCLMZ-VW (Zigbee) 41EPBDWCLM-VW (BLE)
Supported protocols	Zigbee 3.0 and BLE
Product colour	Vivid White
Product or component type	Connected Mechanism
Power	
Operating voltage	220–240 V AC, 50 Hz
Maximum load	
Limits	No minimum load required Max. 300 W
Dimmable LED	150 W
Dimmable compact fluorescent	
240 V incandescent/halogen	300 W
LV halogen with electronic transformer	
Non-dimmable LED	Not compatible
Non-dimmable compact fluorescent	Not compatible
Characteristics	
Mechanism	<ul style="list-style-type: none"> Over-temperature, short circuit and overcurrent/thermal fuse protection LED indicator LED indicator flashes in the event of load disconnection or failure
Dimming range	Min. 0%, Max. 100% (depending on load)
Multiway control	<ul style="list-style-type: none"> Via ControlLink (up to 5-way dimming using max. 3x Iconic Connected Dimmers and remainder ControlLink modules) Total length of CTL and Active loop: max. 50 m
Power failure data retention	<ul style="list-style-type: none"> Internal date/time retained for at least 6 hrs Settings preserved indefinitely
Environment	
IP rating	IP20
Operating humidity	5%–90% RH, non-condensing
Installation	
Mounting centres	84 mm pattern plate
Compatible plate ranges	Iconic, Iconic Styl, Iconic Essence, Pro Series
Muti-gang plate capacity	Max 3 primary mechs per plate
Certification	
Zigbee®	Zigbee 3.0
Compliance	
Safety	AS/NZS 60669.2.1
EMC	AS/NZS 60669.2.1
RF	AS/NZS 4268

For more detailed information, refer to the on-line system user guide. Scan the QR code or follow the link: <https://www.productinfo.schneider-electric.com/clipsal/>



Technical Characteristics

Iconic™ Connected Devices

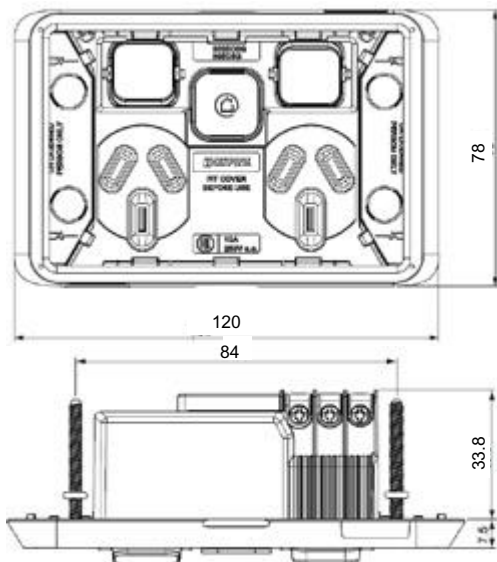


The Iconic Connected Socket has two independent 10 A rated socket outlets. The subtle Iconic status LED indicator can be customized using the Wiser by SE app. When connected to the Wiser Hub, the socket can be integrated into Moments or simply be operated with a timed or time scheduled output. If the manual switch on the socket is in the Smart position, the socket can be controlled remotely.

Note: This product is supplied as a grid only. A range of skins in various styles and colours is available for separate purchase.



Dimensions (mm)



Iconic Connected Twin 10 A Socket

Main data	
Commercial Reference	3025CSGZ (Zigbee) 3025CSG (BLE)
Supported protocols	Zigbee 3.0 and BLE
Product colour	Vivid White
Product or component type	Connected Socket
Power	
Operating voltage	240 V AC, 50 Hz
Maximum load	
Max. load rating	10 A
Characteristics	
Indicators	LED indicator
Power failure data retention	<ul style="list-style-type: none"> Internal date/time retained for at least 6 hrs Settings preserved indefinitely
Environment	
IP rating	IP20
Operating humidity	5%–90% RH, non-condensing
Installation	
Compatible wall box and bracket ranges	<ul style="list-style-type: none"> 155 155NA 157 157PRM 157/1PRMD 157/1F
Compatible skins (to be ordered separately)	<ul style="list-style-type: none"> 3025CSC-VW (Iconic, Vivid White) 3025CSC-CY (Iconic, Cool Grey) 3025CSC-AN (Iconic, Anthracite) S3025CSC-SV (Iconic Styl, Silver) S3025CSC-CE (Iconic Styl, Crownne) S3025CSC-SH (Iconic Styl, Silver Shadow) E3025CSC-AW (Iconic Essence, Arctic White) E3025CSC-AG (Iconic Essence, Ash Grey)
Certification	
Zigbee®	Zigbee 3.0
Compliance	
Safety	<ul style="list-style-type: none"> AS/NZS 3112 AS/NZS 60669.2.1
EMC	AS/NZS 60669.2.1
RF	AS/NZS 4268

Note:

Download the Wiser by SE app to your smartphone, and install the Wiser Hub to configure and control Wiser devices. You can use the app to pair, set up and control Wiser devices. The Wiser by SE app is available in the App stores for smartphones supporting operating systems Android™ OS (version 7 and above) or Apple® iOS (version 11 and above).

For more detailed information, refer to the on-line system user guide. Scan the QR code or follow the link: <https://www.productinfo.schneider-electric.com/clipsal/>



Commercial Reference Numbers

The products listed below can be integrated into a Wiser™ system.

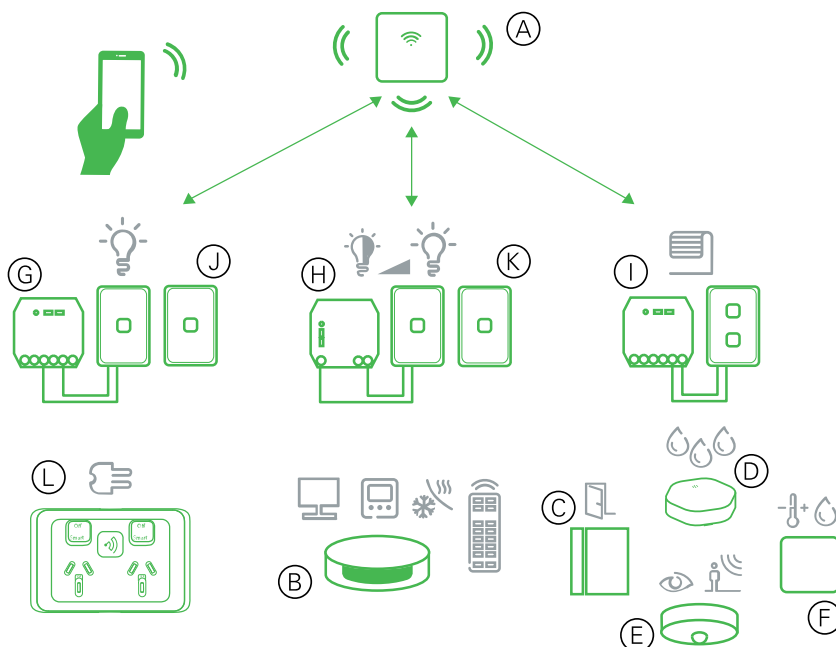
Note: Iconic Connected products with BLE default mode can also be integrated into a Wiser system by changing the operating mode to Zigbee—refer to the instructions provided with the product.

Wiser Home - Zigbee

Commercial Reference	Product Name	Diagram Reference	Technical Characteristics
CLP501902	Wiser Hub	A	p.7
CLP501902_0001	Wiser Hub Table Stand	A	p.8
CLP501401	Wiser IR Converter	B	p.9
CLP591011	Wiser Window/Door Sensor	C	p.10
CLP592011	Wiser Water Leakage Sensor	D	p.11
CLP595011	Wiser Motion Sensor	E	p.12
CLP593011	Wiser Temperature/Humidity Sensor	F	p.13
CLP5011WSZ	Wiser Micro Module Switch	G	p.14
CLP5010WDZ	Wiser Micro Module Dimmer	H	p.15
CLP5015WBZ	Wiser Micro Module Blind Controller	I	p.16
41E2PBSWMZ-VW	Iconic Connected Switch 2 AX (Zigbee default mode)	J	p.17
41E10PBSWMZ-VW	Iconic Connected Switch 10 AX (Zigbee default mode)	J	p.18
41EPBDWCLMZ-VW	Iconic Connected Dimmer (Zigbee default mode)	K	p.19
3025CSGZ	Iconic Connected Twin 10 A Socket (Zigbee default mode)	L	p.20

Wiser Room - BLE

Commercial Reference	Product Name	Diagram Reference	Technical Characteristics
41E2PBSWM-VW	Iconic Connected Switch 2 AX (Bluetooth default mode)	J	p.17
41E10PBSWM-VW	Iconic Connected Switch 10 AX (Bluetooth default mode)	J	p.18
41EPBDWCLM-VW	Iconic Connected Dimmer (Bluetooth default mode)	K	p.19
3025CSG	Iconic Connected Twin 10 A Socket (Bluetooth default mode)	L	p.20



Disclaimer

Schneider Electric (Australia) Pty Ltd reserves the right to change specifications, modify designs and discontinue items without incurring obligation and whilst every effort is made to ensure that descriptions, specifications and other information in this catalogue are correct, no warranty is given in respect thereof and the company shall not be liable for any error therein.

Wiser™ with Iconic™

Iconic is a modern electrical accessories range based on a slim, sleek, clean design that is easy to customise and blends in with your décor.

Loaded with clever features

Game changing modular mechanisms and grids with changeable skins and rockers for unrivalled customisation now and in the future.

With ControlLink, lights can be switched or dimmed from multiple locations.

A locking bar allows simple mechanism reorientation and sturdy locking for a quick and easy install, limiting the chance of mechanism pushbacks.

Customisable and future-ready

Interchangeable standard, Styl and Essence skins provide great customisable options to suit specific décor and lifestyle.

Iconic switches are quick and easy to personalise with pictogram rockers that even your customers can change.

Clever Functionality with a range of smart, connected products and innovative technology, the platform is designed for future applications.

Upgrade to ‘Skinability’

Iconic is based around a unique grid design, with a choice of three different ranges of skins that simply clip on.

Once the grids have been installed by an electrician, it’s easy for the user to change the skins—simply clip off the existing skin and clip on the new skin in the desired style and colour.

Iconic

The standard Iconic range of skins offers flexibility with standard white skins and subtle colour variants that blend with interior décors. They are available with translucent edges that infuse with wall colours, or a solid edge vivid white option.

Iconic Styl

Iconic Styl is an irresistibly beautiful design made from durable anodised aluminium for a quality look in every home. Iconic Styl adds elegance, colour and modern simplicity with three metallic finishes to offer flexibility to a broad range of décor styles.

Iconic Essence

With smooth round wooden edges, Iconic Essence has an unmistakably luxurious look and feel. Setting a new benchmark for quality and style in residential products, the natural finish of Essence will enhance your living space.



‘Skinability’

The modular and flexible approach of Iconic makes it easy for your customers to change skins in the future for a fresh new look.



Green Premium™

An industry leading portfolio of offers delivering sustainable value



More than 75% of our product sales offer superior transparency on the material content, regulatory information and environmental impact of our products:

- RoHS compliance
- REACh substance information
- Industry leading # of PEP's*
- Circularity instructions



Discover what we mean by green

[Check your products!](#)

The Green Premium program stands for our commitment to deliver customer valued sustainable performance. It has been upgraded with recognized environmental claims and extended to cover all offers including Products, Services and Solutions.

CO₂ and P&L impact through... Resource Performance

Green Premium brings improved resource efficiency throughout an asset's lifecycle. This includes efficient use of energy and natural resources, along with the minimization of CO₂ emissions.

Cost of ownership optimization through... Circular Performance

We're helping our customers optimize the total cost of ownership of their assets. To do this, we provide IoT-enabled solutions, as well as upgrade, repair, retrofit, and remanufacture services.

Peace of mind through... Well-being Performance

Green Premium products are RoHS and REACh compliant. We're going beyond regulatory compliance with step-by-step substitution of certain materials and substances from our products.

Improved sales through... Differentiation

Green Premium delivers strong value propositions through third-party labels and services. By collaborating with third-party organizations we can support our customers in meeting their sustainability goals such as green building certifications.

*PEP: Product Environmental Profile (i.e. Environmental Product Declaration)



Smart and Sustainable Homes

For more information about the Wiser™ Iconic range, contact your local Clipsal and Schneider Electric Partner Business Representative, electrical wholesaler, or visit clipsal.com/wiser.

Schneider Electric (Australia) Pty. Ltd.
33-37 Port Wakefield Road
Gepps Cross, South Australia, 5094

Customer Care
Phone: 1300 669 925
(9.00am to 5:00pm Mon to Fri AEST)

Technical Support
Phone: 13 73 28 (13 SEAU)
(7:30am to 7:00pm Mon to Fri AEST)

©2021 Schneider Electric. All Rights Reserved.
JYT1306800_00

clipsal.com/support

clipsal.com/wiser

Life Is On 

